

# 2MP Vandal-resistant Network IR Fixed Dome Camera

IPC-D112-PF28(40)



## Key Features

### Optics

- Day/night functionality
- Smart IR, up to 30m (98ft) IR distance
- 2D/3D DNR (Digital Noise Reduction)

### Compression

- Ultra 265, H.265, H.264
- ROI (Region of Interest)

### Network

- ONVIF Conformance

### Structure

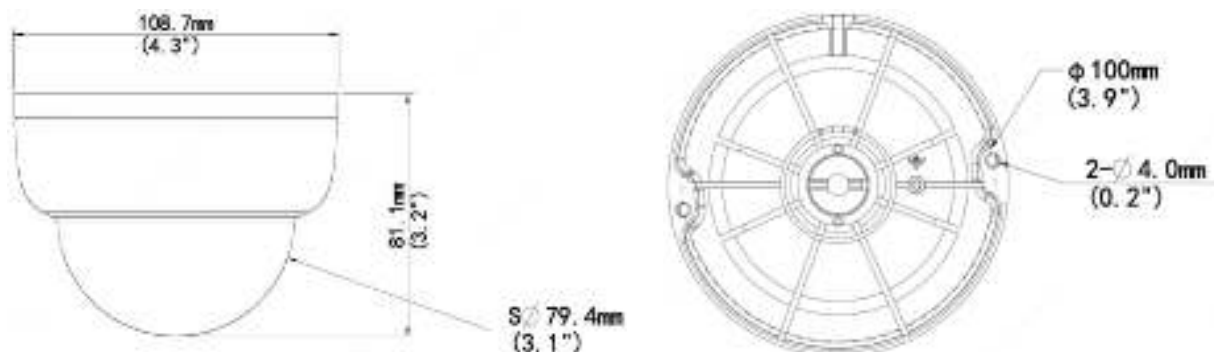
- Wide temperature range: -30°C ~ 60°C (-22°F ~ 140°F)
- Wide voltage range of ±25%
- IK10 vandal resistant
- IP67
- 2-Axis

## Specifications

|                         | IPC-D112-PF28   | IPC-D112-PF40 |                |               |              |
|-------------------------|---|---------------|----------------|---------------|--------------|
| <b>Camera</b>           |   |               |                |               |              |
| Sensor                  | 1/2.9", progressive scan, CMOS  |               |                |               |              |
| Lens                    | 2.8mm@F2.0  |               | 4.0mm@F2.0     |               |              |
| DORI Distance           | Lens (mm)   | Detect (m)    | Observe (m)    | Recognize (m) | Identify (m) |
|                         | 2.8   | 45.0          | 18.0           | 9.0           | 4.5          |
|                         | 4.0   | 64.3          | 25.7           | 12.9          | 6.4          |
| Angle of View (H)       | 107.8°  |               | 82.0°          |               |              |
| Angle of View (V)       | 56.7°   |               | 41.4°          |               |              |
| Angle of View (O)       | 140.1°  |               | 100.9°         |               |              |
| Adjustment angle        | Pan: 3° ~ 360°  |               | Tilt: 0° ~ 75° |               |              |
| Shutter                 | Auto/Manual, 1 ~ 1/100000s  |               |                |               |              |
| Minimum Illumination    | Colour: 0.02Lux (F2.0, AGC ON)<br>0Lux with IR  |               |                |               |              |
| Day/Night               | IR-cut filter with auto switch (ICR)  |               |                |               |              |
| Digital noise reduction | 2D/3D DNR   |               |                |               |              |
| S/N                     | >52dB   |               |                |               |              |
| IR Range                | Up to 30m (98ft) IR range   |               |                |               |              |
| Defog                   | Digital Defog   |               |                |               |              |
| WDR                     | DWDR  |               |                |               |              |
| <b>Video</b>            |   |               |                |               |              |
| Video Compression       | Ultra 265, H.265, H.264   |               |                |               |              |
| H.264 code profile      | Baseline profile, Main Profile  |               |                |               |              |
| Frame Rate              | Main Stream: 1080P (1920*1080), Max 25fps; 720P (1280*720), Max 25fps;<br>Sub Stream: 4CIF (704*576), Max 25fps |               |                |               |              |
| HLC                     | Supported   |               |                |               |              |
| BLC                     | Supported   |               |                |               |              |
| OSD                     | Up to 4 OSDs  |               |                |               |              |
| Privacy Mask            | Up to 4 areas   |               |                |               |              |
| ROI                     | Up to 2 areas   |               |                |               |              |
| Motion Detection        | Up to 4 areas   |               |                |               |              |
| <b>Network</b>          |   |               |                |               |              |
| Protocols               | IPv4, IGMP, ICMP, TCP, UDP, DHCP, RTP, RTSP, RTCP, DNS, DDNS, NTP, UPnP, HTTP, RTMP                             |               |                |               |              |
| Compatible Integration  | ONVIF (Profile S, Profile T), API   |               |                |               |              |
| <b>Interface</b>        |   |               |                |               |              |
| Network                 | 10/100M Base-TX Ethernet  |               |                |               |              |
| <b>General</b>          |   |               |                |               |              |
| Power                   | DC 12V±25%, PoE (IEEE 802.3af)  |               |                |               |              |
|                         | Power consumption: Max 4.5W   |               |                |               |              |
| Dimensions (Ø x H)      | Ø108.7 x 81.1mm (Ø4.3" x 3.2")  |               |                |               |              |
| Weight                  | 0.33kg (0.73lb)   |               |                |               |              |
| Working Environment     | -30°C ~ 60°C (-22°F ~ 140°F), Humidity: ≤95% RH (non-condensing)  |               |                |               |              |

|                    |      |
|--------------------|------|
| Ingress Protection | IP67 |
| Vandal Resistant   | IK10 |

## Dimensions



[www.uniview.com/uniarch](http://www.uniview.com/uniarch)

©2019 Zhejiang Uniview Technologies Co., Ltd. All rights reserved.

\*Product specifications and availability are subject to change without notice.