

TDN WDR IR Ball Camera

HEW2PR1/HEW2PRW1/HEW4PR3/
HEW4PRW3

Honeywell's new Performance Series IP ball cameras are taking quality and reliability to the next level, offering outstanding picture clarity and hassle-free flexible system integration.

Superior Image Quality

- Full HD 1080p 25/30 fps image with a 1/2.7" 2 megapixel sensor or full HD 4 MP 20 fps image with a 1/3" 4 megapixel sensor
- Wide Dynamic Range, up to 120 dB, ensures glare-free images
- True Day/Night provides vivid color images by day and clear black-and-white images at night with ICR
- Excellent low-light performance with 3D noise reduction, saving storage and bandwidth

Flexible Surveillance Solution

- 3.6 mm or 2.8 mm fixed lens at F2.0
- H.264 and MJPEG codec, triple stream support
- IR LEDs provide up to 130 ft (40 m) of illumination in dimly lit or nighttime scenes (depending on scene reflectance)
- Smart IR technology provides even distribution of IR
- Weatherproof (IP66) camera housing
- -30°C to 60°C (-22°F to 140°F) working temperature
- Plug-and-play compatible with Honeywell 4/8/16-channel Performance Series Embedded NVRs

Easy to Install and Use

- Built-in PoE (Power over Ethernet) eliminates need for separate power supply and associated wiring; 12 VDC inputs where PoE power is unavailable
- Remote configuration through web client or from the NVR



HEW2PRW1/HEW4PRW3



HEW2PR1/HEW4PR3



Market Opportunities

These flexible, fully featured cameras are ideal for a wide range of surveillance applications, providing excellent picture quality at minimal bandwidth while offering reliable protection against dust, dirt, and water.

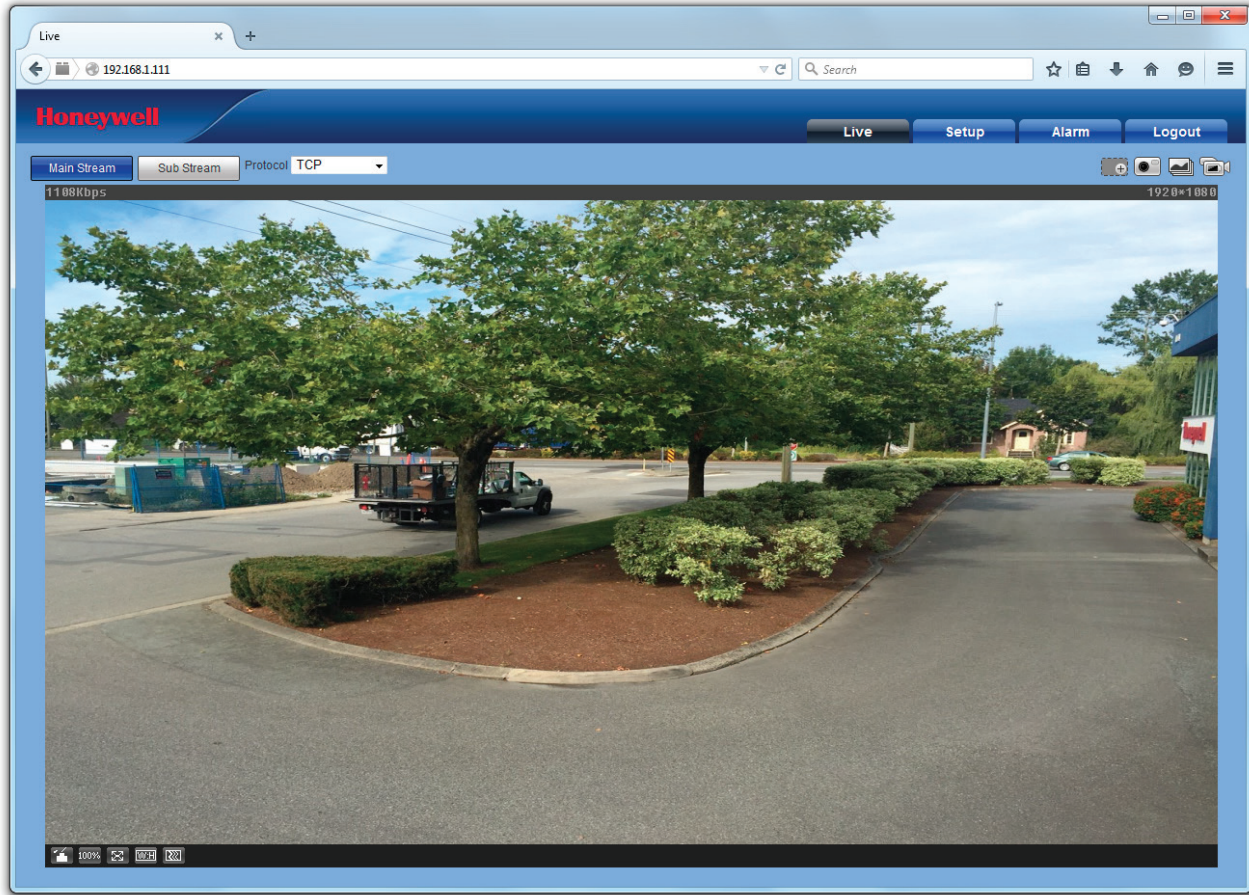
FEATURES AND BENEFITS

- | | | | |
|---|---|--|---|
| <ul style="list-style-type: none">• 1/2.7" 2 MP or 1/3" 4 MP progressive scan imager• 3.6 mm or 2.8 mm fixed lens• True day/night (IR-cut filter) | <ul style="list-style-type: none">• Wide dynamic range up to 120 dB• Low-light performance down to 0.01 lux (color) or 0 lux with IR LEDs on• Up to 130 ft (40 m) IR illumination, depending on scene reflectance | <ul style="list-style-type: none">• H.264 Main Profile compression• Triple stream support• Supports up to 20 connections• Corridor mode• PoE, 12 VDC support | <ul style="list-style-type: none">• Plug-and-play compatible with Honeywell Performance Series Embedded NVRs• Weatherproof housing with IP66 ingress protection rating |
|---|---|--|---|

TDN WDR IR Ball Camera

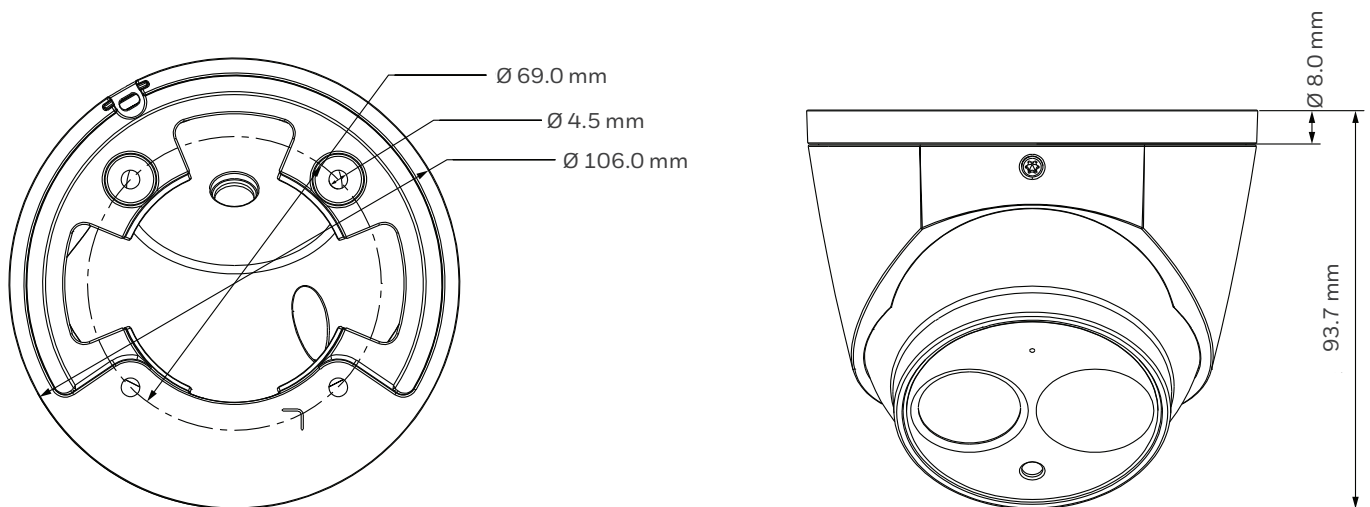
Security Features

The camera can be configured to automatically detect and respond to events such as motion in the scene and/or camera tampering. Automated responses include sending a notification through email, FTP, and/or HTTP, and sending a still image of the event through email and/or FTP. Setup can be done using the web client or from an NVR.



DIMENSIONS

HEW2PR1/HEW2PRW1/HEW4PR3/HEW4PRW3



TDN WDR IR Ball Camera

SPECIFICATIONS

OPERATIONAL		
VIDEO STANDARD	NTSC/PAL	
SCANNING SYSTEM	Progressive scan	
IMAGE SENSOR	HEW2PR(W)1: 1/2.7" 2 MP CMOS HEW4PR(W)3: 1/3" 4 MP CMOS	
NUMBER OF PIXELS (H×V)	HEW2PR(W)1: 1920×1080 HEW4PR(W)3: 2688×1520	
MINIMUM ILLUMINATION	0.01 lux, F2.0 (color) 0 lux (with IR LEDs on)	
S/N RATIO	50 dB or more	
ELECTRONIC SHUTTER SPEED	Auto, Manual, 1/3–1/100 000 s	
IR DISTANCE	Up to 130 ft (40 m), depending on scene reflectance	
DAY/NIGHT	Auto(ICR)/Color/BW	
BACKLIGHT COMPENSATION	BLC/HLC/WDR (120 dB)	
WHITE BALANCE	Auto/Sunny/Night/Outdoor/Customized	
GAIN CONTROL	Auto/Manual	
NOISE REDUCTION	3DNR	
PRIVACY MASKING	Up to 4 areas	
LENS	HEW2PR(W)1: 3.6 mm, F2.0 HEW4PR(W)3: 2.8 mm, F2.0	
HORIZONTAL ANGLE OF VIEW	HEW2PR(W)1: 91° HEW4PR(W)3: 110°	
CORRIDOR MODE	Yes	
VIDEO		
VIDEO COMPRESSION	H.264/H.264H/H.264B/MJPEG	
RESOLUTION	HEW2PR(W)1: 1080p (1920×1080)/720p (1280×720)/D1 (704×576/704×480)/CIF (352×288/352×240) HEW4PR(W)3: 4 MP (2688×1520/2560×1440)/3 MP (2304×1296)/1080p (1920×1080)/720p (1280×720)/D1 (704×576/704×480)/CIF (352×288/352×240)	
FRAME RATE	MAIN STREAM	HEW2PR(W)1: 1080p/720p (1–25/30 fps) HEW4PR(W)3: 4 MP (1–20 fps)/3 MP (1–25/30 fps)
	SUB STREAM	HEW2PR(W)1: D1/CIF (1–25/30 fps) HEW4PR(W)3: D1/CIF (1–20 fps)
	TRIPLE STREAM	HEW2PR(W)1: 720p (1–13/4 fps) HEW4PR(W)3: 720p (1–20 fps)
BIT RATE (H.264)	32 Kbps–10 Mbps	

NETWORK	
ETHERNET	RJ-45 (10/100Base-T)
PROTOCOLS*	IPv4/IPv6, HTTP, HTTPS, SSL, TCP/IP, UDP, UPnP, ICMP, IGMP, SNMP, RTSP, RTP, SMTP, NTP, DHCP, DNS, PPPoE, DDNS, FTP, IP Filter, QoS, Bonjour, 802.1X
COMPATIBILITY	ONVIF Profile S*
MAX. USER ACCESS	20 users
MOBILE DEVICES	iPhone, iPad, Android
ELECTRICAL	
POWER SUPPLY	PoE IEEE 802.3af Class 0, 12 VDC
POWER CONSUMPTION	HEW2PR(W)1: 4.0 W max. HEW4PR(W)3: 3.7 W max.
MECHANICAL	
DIMENSIONS	106.0 × 93.7 mm (4.17 × 3.69 in.)
PRODUCT WEIGHT	1.04 lb (0.47 kg)
PACKAGE WEIGHT	1.43 lb (0.65 kg)
CONSTRUCTION	Die-cast aluminum housing with powder coat
CONSTRUCTION COLOR	HEW2PR1: RAL7022 (Gray) HEW2PRW1: RAL 9003 (White) HEW4PR3: RAL 7022 (Gray) HEW4PRW3: RAL 9003 (White)
ENVIRONMENTAL	
TEMPERATURE	–30°C to 60°C (–22°F to 140°F)
RELATIVE HUMIDITY	0–95%, non-condensing
INGRESS PROTECTION	IP66
REGULATORY	
EMISSIONS	FCC Part 15, CE (EN 55032)
IMMUNITY	CE (EN 50130-4)
SAFETY	North America UL Listed to UL/CSA 60950-1, CE (EN 60950-1) North America UL Listed to UL/CSA 60950-22, CE (EN 60950-22)

* Some development may be required in specific user cases to support some of these protocols in the field as they mature over time.

TDN WDR IR Ball Camera

SPECIFICATIONS

SYSTEM INTEGRATION

OPEN IP INTEGRATION

ONVIF support and open API software integration. Refer to www.onvif.org for the ONVIF specification and the Honeywell Open Technology Alliance website (<http://www.security.honeywell.com/hota/>) to learn more about our open and integrated solutions.



ORDERING

ACCESSORIES

MOUNTS

HQA-BB3	Junction box
HQA-WK2	Wall mount
HQA-PM	Pole mount (requires HQA-WK2)
HB34S2-CM	Corner mount (requires HQA-BB3)

CAMERAS

HEW2PR1	Network TDN WDR IR Ball Camera, 1/2.7" CMOS, 2 MP, 3.6 mm Fixed, 1 High Power IR LED, PoE, H.264, Gray
HEW2PRW1	Network TDN WDR IR Ball Camera, 1/2.7" CMOS, 2 MP, 3.6 mm Fixed, 1 High Power IR LED, PoE, H.264, White
HEW4PR3	Network TDN WDR IR Ball Camera, 1/3" CMOS, 4 MP, 2.8 mm Fixed, 1 High Power IR LED, PoE, H.264, Gray
HEW4PRW3	Network TDN WDR IR Ball Camera, 1/3" CMOS, 4 MP, 2.8 mm Fixed, 1 High Power IR LED, PoE, H.264, White

For more information

www.honeywell.com/security/uk

Honeywell Security and Fire

Aston Fields Road
Whitehouse Industrial Estate
Runcorn
Cheshire
WA7 3DL
UK
Tel: 08448 000 235
Fax: +44 (0)1928 754 050
www.honeywell.com

Honeywell reserves the right, without notification, to make changes in product design or specifications.

HSFV-PerfR2-Ball-01-UK(0117)DS-E
January 2017
© 2017 Honeywell International Inc.

Honeywell