



Features

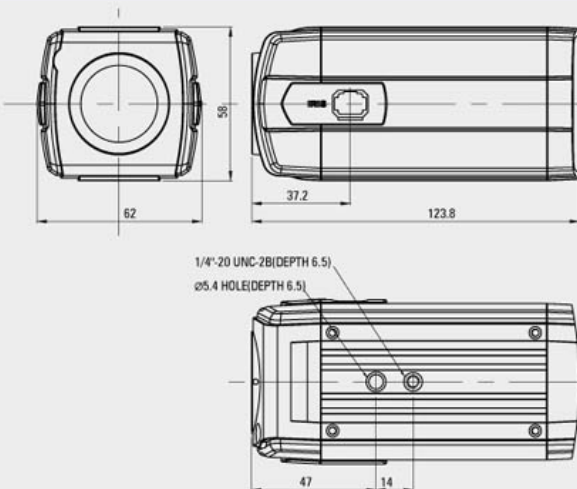
- 1/3 inch Sony Super HAD CCD
- High Resolution : 530 TV Lines
- TDN (ICR), 8x Digital Zoom
- Min. Illumination : 0.0005Lux (DSS On, B/W)
- OSD (On Screen Display)
- Auto White Balance, Privacy Zone
- AGC/BLC(Low/Middle/High), Flickerless(On/Off)
- Super Digital Noise Reduction
- RS-485 Interface
- Electronic Sensitivity-up(DSS)



Rear View



DIMENSIONS



SPECIFICATIONS

Model	CNB-G2960NF	CNB-G2960PF
Signal System	NTSC	PAL
Scanning System	2:1 Interlace	
Scanning Frequency(H)	15.734kHz	15.625kHz
Scanning Frequency(V)	59.94Hz	50Hz
Sync. System	Internal	
Image Sensor	1/3 Inch SONY Super HAD CCD	
Total Pixels No.	811(H)x508(V) 410K	795(H)x596(V) 470K
Effective Pixels No.	768(H)x494(V) 380K	752(H)x582(V) 440K
Horizontal Resolution	530 TV Lines	
Lens Mount	C/CS Mount	
Digital Zoom Ratio	8x Digital Zoom	
Video Output	Composite: 1.0V p-p, 75Ω, Unbalanced	
S/N Ratio	More than 50dB(AGC Off)	
Min.Illumination	0.1 Lux(30 IRE, AGC On), 0.0008 Lux (DSS x128)	
Shutter Speed	X128-1/60-1/120,000 Sec.	X128-1/50-1/120,000sec.
White Balance	ATW (1,800°K-10,500 °K) / AWC / MANUAL	
OSD	On/Off	
AGC, BLC	OFF / LOW / MIDDLE / HIGH	
Day&Night Type	Electronic Sensitivity-up(DSS), ICR(AGC type)	
SDNR	OFF / LOW / MIDDLE / HIGH	
Motion Dection	On/Off (4 Programmable Zone)	
Privacy	On/Off (4 Programmable Zone)	
Supplied Voltage	12VDC (10V-15V)	
Power Consumption	Max. 2.2W/180mA	
Dimensions	62(W) x 58(H) x 123.8(D) mm	
Weight	Approx. 430g	