

ALUMINUM IR LED DOME CAMERA (Weatherproof)



※ Thank you for choosing our high quality cameras.

Before attempting to connect or operate it, please read and follow these instructions.

GENERAL

These CCD video cameras employ a SONY 1/3" CCD solid-state imaging device which provide superior performance.

These cameras can be easily installed in mostly outdoor/indoor locations along with its very low current consumption of 400mA or less.

These cameras are not only easy to install but achieve an excellent reliability record.

ACCESSORIES FURNISHED

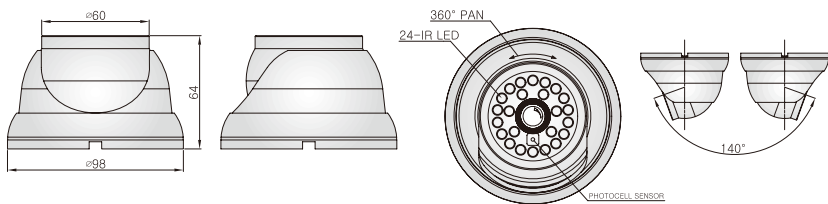
Accessories	DIY cable	Screw	Wrench	Instruction Manual
Q'ty	-	4	1	1
Option	1	-	-	-

SPECIFICATION

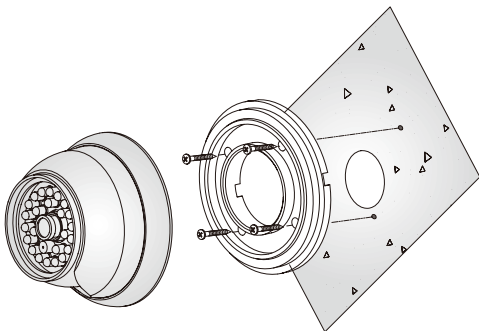
Signal format	NTSC	PAL	NTSC	PAL
Image Sensor	1/3" Sony Super HAD CCD		1/3" Sony Super HAD CCD II	
Scanning System	2:1 Interlace			
Total Pixels	537(H) × 505(V)	537(H) × 597(V)	811(H) × 508(V)	795(H) × 596(V)
Effective Pixels	510(H) × 492(V)	500(H) × 582(V)	768(H) × 494(V)	752(H) × 582(V)
Horizontal resolution	380TV Line		550TV Line	
S/N Ratio More than	More than 45 dB (AGC OFF)		More than 48 dB (AGC OFF)	
Sensitivity	0.5 Lux @ F2.0(30IRE) Night : 0.00 Lux (IR LED ON)		0.05 Lux @ Face Plate Night : 0.00 Lux (IR LED ON)	
Gamma	$\gamma = 0.45$			
Video Output	1.0 Vp-p composite, 75 Ω			
Electronic shutter speed	1/60~1/100,000 sec	1/50~1/100,000 sec	1/60~1/100,000 sec	1/50~1/100,000 sec
Current Consumption	LED Off : 120mA or Less, LED On : 400mA or Less			
Power Supply	DC +12V (±10%)			
IR LED	24 Unit IR LED up to 30M			
IR LED Wavelength	850nm			
IR LED Half Angle	± 22 degree			
IR LED On/Off	ON / OFF detection range of automatic Photocell			
Operating Lux	IR LED On : 1Lux, Off : 3Lux			
Manual Pan & Tilt	Pan 360° / Tilt 140°			
Operating temperature	-10°C ~ +50°C			
Storage temperature	-20°C ~ +60°C			
Lens Option	Board Lens - IR 3.7B / IR 4.0B / IR 6.0B / IR 8.0Bmm			

Face Plate : Point at the CCD without obstruction of light from any other material.

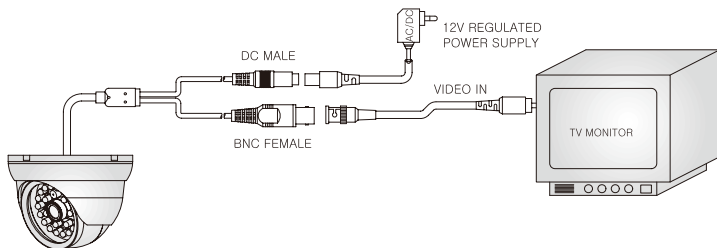
DIMENSIONS



CAMERA MOUNTING POSITION



CONNECTION



! When you install the camera, please glue up the end of cable to keep it stable in order to protect the camera from the humidity problems.

This device complies with Part 15 of the FCC Rules. Operation is subject to the following two conditions;

1. This device may not cause harmful interference.
2. This device must accept any interference received, including interference that may cause undesired operation.

NOTE - This equipment has been tested and found to comply with the limits for a Class A digital device, pursuant to part 15 of the FCC Rules. These limits are designed to provide reasonable protection against harmful interference when the equipment is operated in a commercial environment. This equipment generates, uses, and can radiate radio frequency energy and, if not installed and used in accordance with the instruction manual, may cause harmful interference to radio communications. Operation of this equipment in a residential area is likely to cause harmful interference in which case the user will be required to correct the interference at his own expense.

WARNING

This is a class A product. In a domestic environment this product may cause radio interference in which case the user may be required to take adequate measures.

Caution - Any changes or modifications in construction of this device which are not expressly approved by the party responsible for compliance could void the user's authority to operate the equipment.

! CAUTION

1. A regulated DC 12V 700mA power supply is recommended for use with this camera for the best picture and the most stable operation.
An unregulated power supply can cause damage to the camera.
When unregulated power supply is applied, product warranty will be out of subject.
2. It is recommended that the camera is used with a monitor that has a CCTV quality 75 video impedance level. If your monitor is switched to high impedance then please adjust accordingly.
3. Do not attempt to disassemble the camera to gain access to the internal components. Refer servicing to your dealer.
4. Never face the camera towards the sun or any bright or reflective light, which may cause smear on the picture and possible damage to the CCD
5. **Do not remove the serial sticker for the warranty service**