

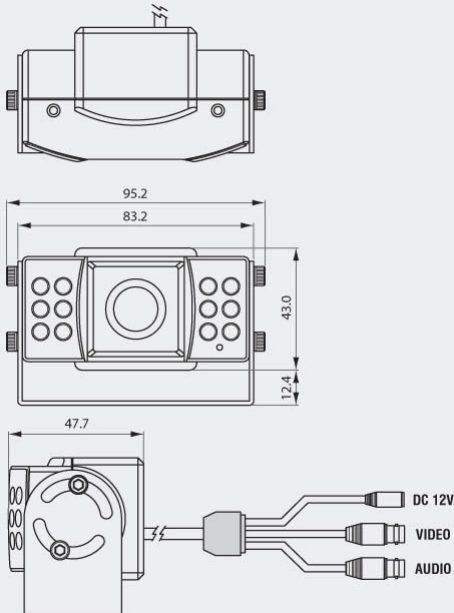


Features

- 1/3 inch Sony Super HAD CCD
- High Resolution : 550 TV Lines
- Built-in IR LED & Sensor
- Built in Fixed Lens (f=2.5mm)
- Auto White Balance
- AGC (On/Off)
- Min. Illumination : 0.00 Lux (IR LED On)
- Audio & Mirror Function



DIMENSIONS



SPECIFICATIONS

Model	CNB-CN330IR	CNB-CP330IR
Signal System	NTSC	PAL
Scanning System	2:1 Interlace	
Scanning Frequency (H)	15.734 KHz	15.625 KHz
Scanning Frequency (V)	59.94 Hz	50 Hz
Image Sensor	1/3 Inch SONY Super HAD CCD	
Total Pixels	811(H) x 508(V) 410K	795(H) x 596(V) 470K
Total / Effective Pixels	768(H) x 494(V) 380K	752(H) x 582(V) 440K
Horizontal Resolution	550 TV Lines	
Video Output	1.0V p-p (75Ω, Composite)	
Audio Output	2V p-p	
S/N Ratio	More than 50dB (AGC Off)	
Lens	Built-in Fixed Lens (f=2.5mm)	
Min.Illumination	Day (0.3 Lux), Night (0.00 Lux, IR LED On)	
IR LED and Sensor	IR LED (850nm, 30°) 11EA, Sensor 1EA	
IR LED Visible Range	Max. 10m	
White Balance	Auto	
AGC	Auto	
Shutter Speed	1/60~1/100,000 Sec.	1/50~1/120,000sec.
Supplied Voltage	DC10V~14V (Recommendation DC12V±0.5V)	
Power Consumption	Max. 2W	
Dimensions(WxH)	83.2x43.0 xmm	