



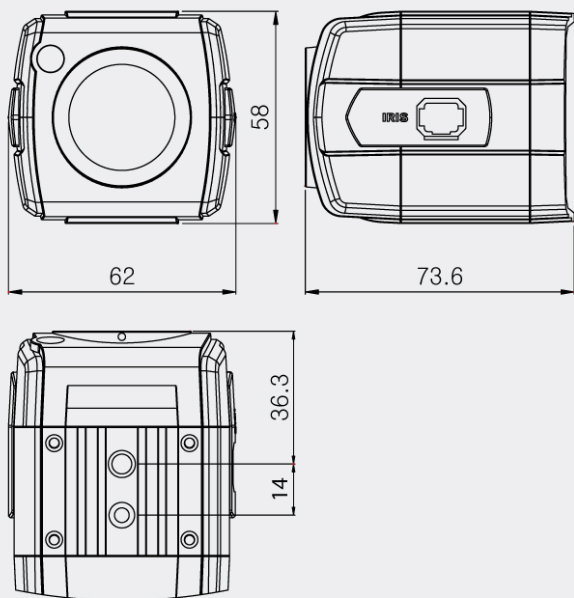
Features

- 1/3 inch Super HAD CCD
- High Resolution : 530 TV Lines
- TDN(ICR)
- Min. Illumination : 0.1 Lux (B/W)
- Auto White Balance, AGC
- OSD
- Motion Detection
- Privacy Zone
- 12VDC

OPTIONAL Model

- GS3750DNF/GS3750PDFN : without TDN(ICR), 380TVL, IR Pass Filter
- GS3750N/GS3750P : without TDN(ICR), 380TVL
- GS3760N/GS3760P : without TDN(ICR)

DIMENSIONS



SPECIFICATIONS

Model	GS3760NF	GS3760PF
Signal System	NTSC	PAL
Scanning System	2:1 Interlace	
Sync. System	Internal	
Scanning Frequency (H)	15.734 kHz	15.625 kHz
Scanning Frequency (V)	59.94 kHz	50 Hz
Image Sensor	1/3 Inch Super HAD CCD	
Total Pixels	811(H) x 508(V) 410K	795(H) x 596(V) 470K
Total / Effective Pixels	768(H) x 494(V) 380K	752(H) x 582(V) 440K
Horizontal Resolution	530 TV Lines	
Lens Mount	C/CS Mount	
Video Output Level	1.0V p-p (75Ω, Composite)	
Lens Mount	C/CS Mount	
S/N Ratio	More than 50dB (AGC Off)	
Day&Night Type	ICR2 (AGC Type)	
Min. Illumination	Day (0.3 Lux), Night (0.1 Lux)	
AGC	On/Off	
White Balance	AUTO	
OSD	On/Off	
Privacy Zone	On/Off (4 Programmable Zone)	
Motion Detection	On/Off (64 Programmable Zone)	
Shutter Speed	1/60~1/100,000 Sec.	1/50~1/100,000sec.
Supplied Voltage	DC9V~15V (Recommendation DC12V±0.5V)	
Power Consumption	Max. 3W	
Dimensions (WxHxD)	62(W) x 58(H) x 73.6(D) mm	
Weight	Approx. 335g	