

USER INFORMATION:



CAUTION
RISK OF ELECTRIC SHOCK
DO NOT OPEN



CAUTION! TO REDUCE THE RISK OF ELECTRIC SHOCK, DO NOT REMOVE COVER (OR BACK). NO USER-SERVICEABLE PARTS INSIDE. REFER SERVICING TO QUALIFIED SERVICE PERSONNEL.

Explanation of two Symbols



The lightning flash with arrowhead symbol, within an equilateral triangle, is intended to alert the user to the presence of un-insulated "dangerous voltage" within the product's enclosure that may be of sufficient magnitude to constitute a risk of electric shock to persons.



The exclamation point within an equilateral triangle is intended to alert the user to the presence of important operating and maintenance (servicing) instructions in the literature accompanying the appliance.

THE GRAPHIC SYMBOLS WITH SUPPLEMENTAL MARKING ARE ON THE BOTTOM OF THE SYSTEM.

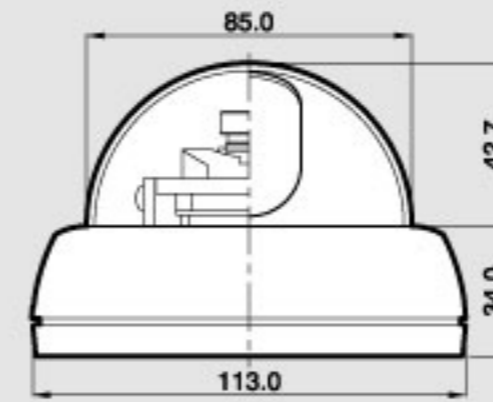
"WARNING-TO PREVENT FIRE OR SHOCK HAZARD, DO NOT EXPOSE THE UNIT TO RAIN OR MOISTURE"

PRECAUTION:

- ⊗ All the warnings and instructions of this manual should be followed.
- ⊗ Remove the plug from the outlet before cleaning. Do not use liquid aerosol detergents. Use water damped cloth for cleaning.
- ⊗ To reduce the risk of fire or electric shock, do not expose this appliance to rain or moisture.
- ⊗ Do not place anything on top of the unit that might spill or fall into it.
- ⊗ Do not attempt to service this unit yourself as opening or removing covers may you to dangerous voltage or other hazards. Please refer all servicing to qualified service personnel.
- ⊗ Keep enough space around the unit for ventilation. Slots and openings on the monitor should not be blocked.
- ⊗ During flashes of lightning or cracks of thunder, or when the system is not used for a long time, unplug the system power supply to protect the unit from lightening or power surges.

DIMENSIONS(mm):

• Dome (Ø85)



P/N:3810-0056D

SPECIFICATIONS:

Signal System	NTSC : 525 Lines	PAL : 625 Lines
Scanning System	2 : 1 Interlace	
Scanning Frequency (H)	15.734kHz	15.625kHz
Scanning Frequency (V)	59.94Hz	50Hz
Image Sensor	1/3 inch SONY Super HAD CCD	
Total/Effective Pixels No.	410K/380K [Normal:270K/250K]	470K/440K[Normal:320K/290K]
S/N Ratio	More than 48dB	
Resolution	550 TV Lines / 480 TV Lines / 380 TV Lines	
Video Output Level	1.0 Vp-p (75 Ohms, composite)	
Lens- Mirror Cover	Fixed Lens (f=3.8mm, 6.0mm Selectable)	
Lens- Smoke Cover	Fixed Lens (f=2.45mm)	
Focus	Manual	
Sync. System	Internal	
Sensitivity	0.3 Lux(High) / 0.1 Lux(Normal)	
Electronic Shutter	1/60~100,000 Sec.	1/50~100,000 Sec.
White Balance	Auto	
AGC / BLC	Auto	
Input/Output Connector	Power(Red Jack), Video(Yellow Jack)	
Supplied Voltage	DC 9V ~ 15V (Recommendation DC 12±0.5V)	
Power Consumption	Less than 150mA	
Dome Size (Ø)	85mm	
Weight	Approx. 220g	



OWNER'S MANUAL

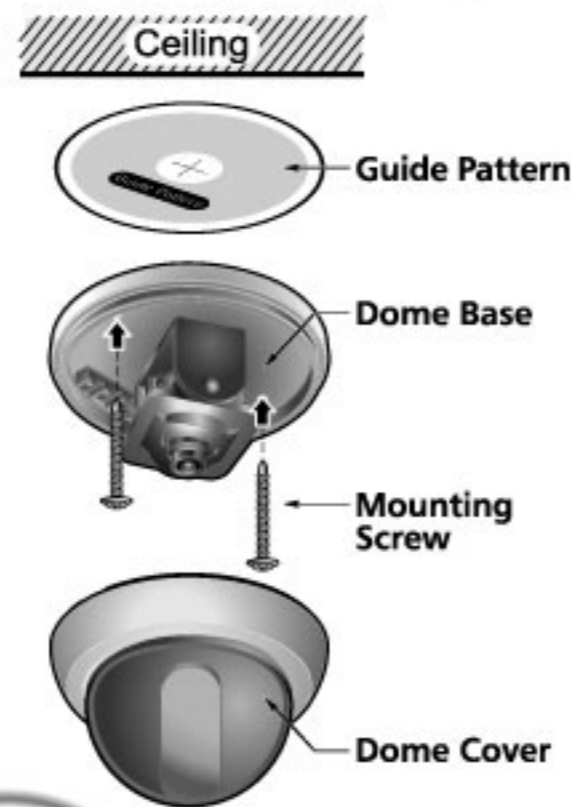
Color Domenera Digital DSP Dome color camera



INSTALLATION:

This manual explains the installation and operating method for the color dome camera. Before installation, make sure you are familiar with this product's special features and proper operating technique.

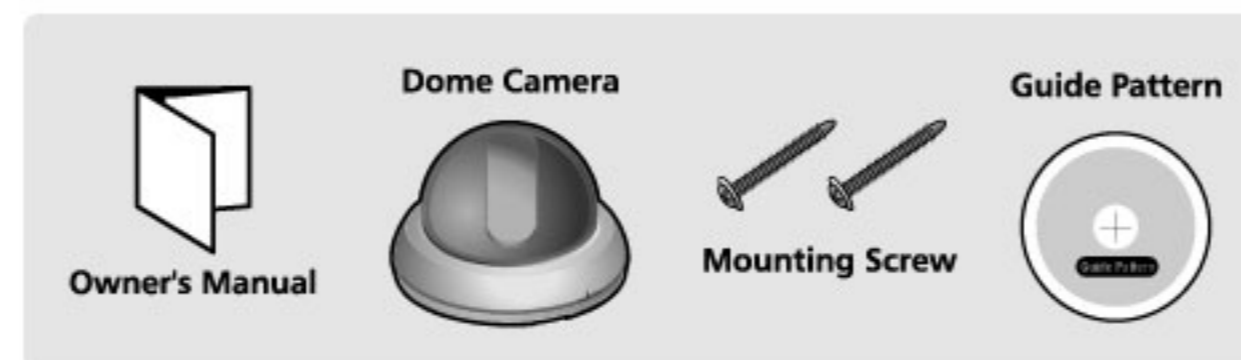
- 1 Stick the guide pattern on the wall or ceiling.
- 2 Fixed the camera to a ceiling using two screws.
- 3 After fixing it, adjust its pan base and tilt base properly.
- 4 After adjust them, fixed the dome cover.



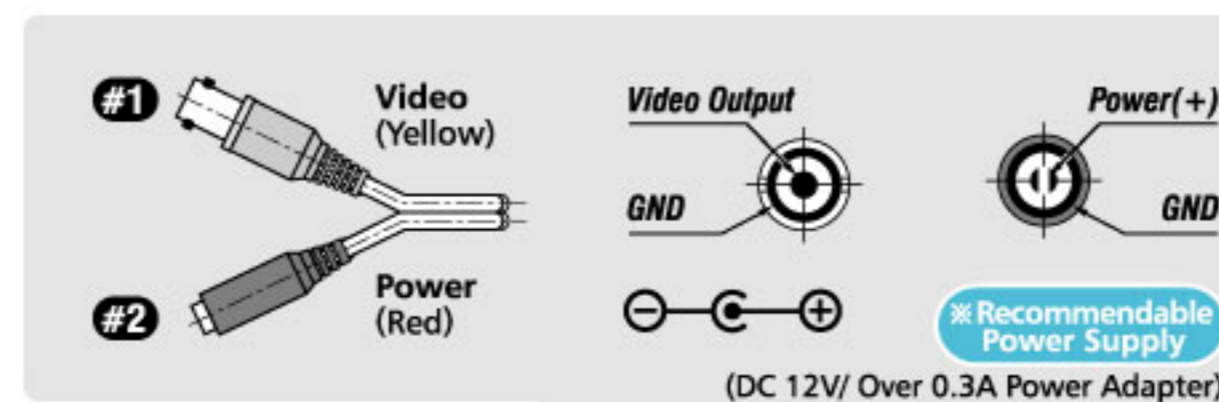
NOTE

- Insert coin to the side hole and remove the dome cover by twist coin.

COMPOSITION:



CONNECTION:



No.	Function	Terminal Color
#1	Video Output	Yellow
#2	Power Input	Red

Changes in this user manual can be made without notice, in order to improve the product quality.

TROUBLESHOOTING:

If you have trouble operating your camera, refer to the following. If the guidelines do not enable you to solve the problem, contact an authorized technician.

- ✓ The image does not appear on the screen.
 - Check the power source for the monitor and camera and assure that the voltage and polarity are properly connected and being supplied correctly.
- ✓ The image on the screen is dim.
 - Check if the lens is stained. If dirty, clean the lens with a soft, clean cloth.
 - Adjust the Back Focus of the lens again.
- ✓ The camera does not work properly, the surface of the camera case is hot, and a black line appears on the screen.
 - Check if you have connected the camera to a proper power source and if there is no problem with the power, turn the unit off immediately and seek assistance from our After Service department.
- ✓ The screen blinks a lot.
 - Check if the camera is pointed toward the sun or a fluorescent lamp.
 - Adjust the angle or location of the camera if too much light is coming into the screen.