



CNB-SDN258IR/SDP258IR

STYLISH IR DOME CAMERA

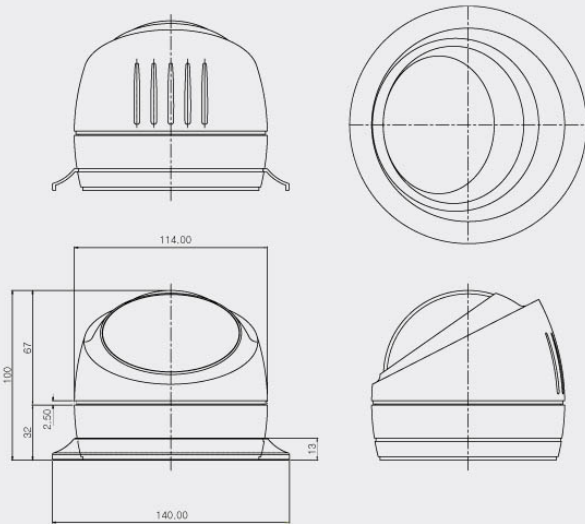


Features

- 1/3 inch Sony Super HAD CCD
- **High Resolution : 380 TV Lines**
- Built-in Fixed Lens(f=3.8mm)
- AGC, AWB Auto
- **Built-in IR LED(24EA) and Sensor(1EA)**
- Min Illumination : Night(0.00Lux, IR LED On)
- Weather Proof Housing
- 100mm in Diameter



DIMENSIONS



SPECIFICATIONS

Model	CNB-SDN258IR	CNB-SDP258IR
Signal System	NTSC	PAL
Scanning System	2:1 Interlace	
Scanning Frequency (H)	15.734 KHz	15.625 KHz
Scanning Frequency (V)	59.94 Hz	50 Hz
Image Sensor	1/3 Inch SONY Super HAD CCD	
Total Pixels	537(H) x 505(V) 270K	537(H) x 597(V) 320K
Effective Pixels	510(H) x 492(V) 250K	500(H) x 582(V) 290K
Horizontal Resolution	380 TV Lines	
Video Output	1.0V p-p (75Ω, Composite)	
S/N Ratio	More than 50dB(AGC Off)	
IR LED & Sensor	Built in 24EA IR LED (850nm, 30°) & 1EA Sensor	
IR Visible Range	Max. 15m	
Lens	Fixed Lens (f=3.8mm)	
Min.Illumination	Day (0.1 Lux), Night(0.00 Lux, IR LED On)	
White Balance	Auto	
AGC	Built-in	
Shutter Speed	1/60~1/100,000 Sec.	1/50~1/100,000sec.
Supplied Voltage	DC 12V (10V~15V)	
Dimensions(ØxWxH)	100.0 x 140.0 x 100.0 mm	
Weight	Approx. 225g	