

CNB-GN258/GP258

STANDARD COLOR CAMERA

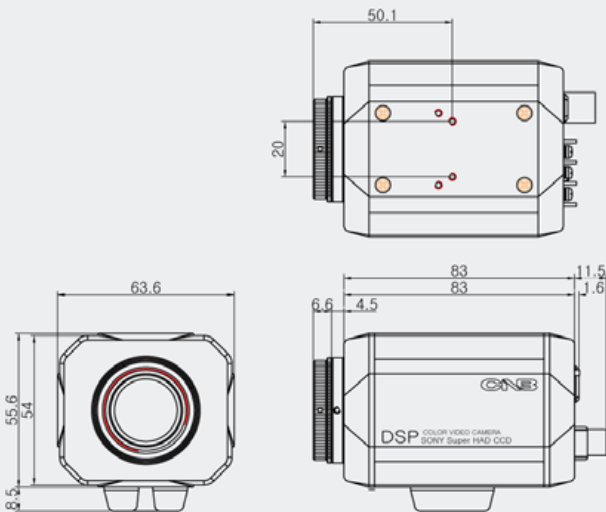


Features

- 1/3 inch Sony Super HAD CCD
- Normal Resolution : 380 TV Lines
- Auto White Balance
- Min Illumination : 0.1 Lux
- AGC, BLC, Flickerless (On/Off)



DIMENSIONS



SPECIFICATIONS

| Model | CNB-GN258 | CNB-GP258 |
|-----------------------|--------------------------------------|----------------------|
| Signal System | NTSC | PAL |
| Scanning System | 2:1 Interface | |
| Sync. System | Internal | |
| Image Sensor | 1/3 Inch SONY Super HAD CCD | |
| Total Pixels | 537(H) x 505(V) 270K | 537(H) x 597(V) 320K |
| Effective Pixels | 510(H) x 492(V) 250K | 500(H) x 582(V) 290K |
| Horizontal Resolution | 380 TV Lines | |
| Lens Mount | C/CS Mount | |
| Video Output | Composite: 1.0V p-p, 75Ω, Unbalanced | |
| S/N Ratio | More than 48dB(AGC Off) | |
| Min.Illumination | 0.1 Lux(F1.4, 30IRE, AGC ON) | |
| White Balance | Auto | |
| AGC | On/Off | |
| BLC | On/Off | |
| Flickerless | On/Off | |
| Shutter Speed | 1/60~100,000 | 1/50~1/100,000 |
| Supplied Voltage | DC 12V (10V~15V) | |
| Power Consumption | Max. 140mA/1.7W | |
| Dimensions | 63.6 x 54 x 94.1 mm | |
| Weight | 335g | |