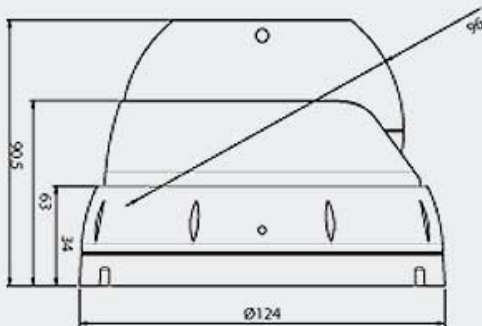
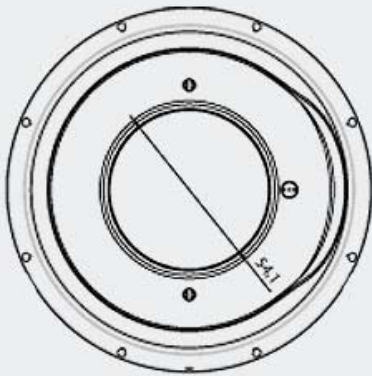




## Features

- 1/3 inch Sony Super HAD CCD
- High Resolution : 550 TV Lines
- Built-in DC Iris Vari-focal Lens(f=3.8~9.5mm)
- Built-in IR LED(25EA) & Sensor(1EA)
- TDN(ICR)
- Min. Illumination : 0 Lux (IR LED On)
- Eye Ball Size 96mm
- Vandal-Resistant Housing
- 12VDC

## DIMENSIONS



## SPECIFICATIONS

Model	VB2310NVR	VB2310PVR
Signal System	NTSC	PAL
Scanning System	2:1 Interlace	
Scanning Frequency (H)	15.734 KHz	15.625 KHz
Scanning Frequency (V)	59.94 Hz	50 Hz
Image Sensor	1/3 Inch SONY Super HAD CCD	
Total Pixels	811(H) x 508(V) 410K	795(H) x 596(V) 470K
Total / Effective Pixels	768(H) x 494(V) 380K	752(H) x 582(V) 440K
Horizontal Resolution	550 TV Lines	
Video Output	1.0V p-p (75Ω, Composite)	
S/N Ratio	More than 48dB(AGC Off)	
IR LED & Sensor	Built in 25EA IR LED (850nm, 30°) & 1EA Sensor	
IR Visible Range	Max. 15m	
Lens	DC Iris Vari-focal Lens (f=3.8~9.5mm)	
Min. Illumination	0 Lux (IR LED On)	
White Balance	Auto	
AGC,BLC,Flickerless	On/Off (Dip Switch)	
Shutter Speed	1/60 Sec.	1/50 sec.
Supplied Voltage	DC 12V (10V~15V)	
Dimensions(ØxH)	124 x 96	