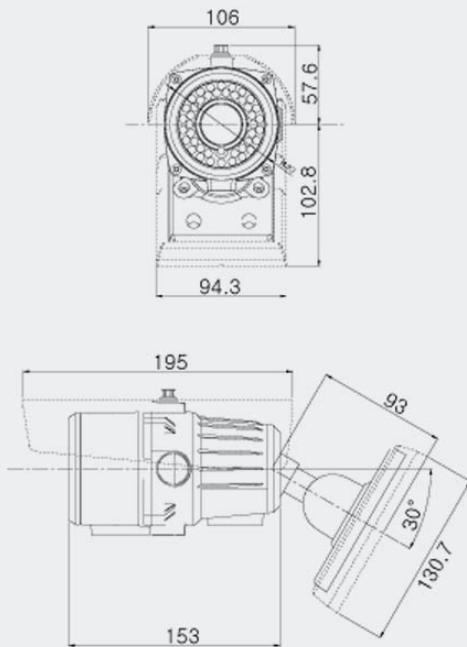




Features

- 1/3 inch Super HAD CCD
- High Resolution : 530TV Lines
- DC Iris Vari-focal lens (f=3.8~9.5m F1.2)
- **Built-in IR LED (42EA) & Sensor(1EA)**
- TDN(ICR)
- Auto White Balance
- AGC/BLC/Flickerless (On/Off)
- Min Illumination : Night(0.00Lux, IR LED On)
- External (Zoom/Focus, Near/Far) Adjustment
- 24ACV/12VDC Dual Voltage
- Built in Fan
- IP65
- Built-in Heater (Option)

DIMENSIONS



SPECIFICATIONS

Model	BE3765NVR	BE3765PVR
Signal System	NTSC	PAL
Scanning System	2:1 Interlace	
Scanning Frequency (H)	15.734 KHz	15.625 KHz
Scanning Frequency (V)	59.94 Hz	50 Hz
Image Sensor	1/3 Inch Super HAD CCD	
Total Pixels	811(H) x 508(V) 410K	795(H) x 596(V) 470K
Total / Effective Pixels	768(H) x 494(V) 380K	752(H) x 582(V) 440K
Horizontal Resolution	530 TV Lines	
Video Output	1.0V p-p (75Ω, Composite)	
S/N Ratio	More than 48dB(AGC Off)	
Lens	DC Iris Vari-focal Lens (f=3.8~9.5mm F1.2)	
Min.Illumination	Day (0.3Lux), Night(0.00Lux, IR LED On)	
IR LED and Sensor	IR LED 42EA (850nm, 30°), Sensor 1EA	
IR LED Visible Range	Max. 40m	
Day&Night (ICR)	ICR (Sensor Type)	
White Balance	Auto	
AGC,BLC, Flickerless	On/Off	
IP Rating	IP65	
Operating Temp.	-10 °C ~ +50 °C	
Storage Temp.	-20 °C ~ +65 °C	
Supplied Voltage	24VAC or 12VDC Dual Voltage	
Power Consumption	Max. 11W / 1.4A	
Shutter Speed	1/60~1/100,000 Sec.	1/50~1/100,000sec.
Dimensions (WxH)	83(φ) x 160.4(H) mm	
Weight	Approx. 1.1kg	