

TDN WDR IR MFZ Mini Dome Camera

H4W2PRV2/H4W4PRV2

Honeywell's rugged H4W2PRV2/H4W4PRV2 mini dome cameras are taking quality and reliability to the next level, providing outstanding picture clarity and hassle-free flexible system integration.



Superior Image Quality

- Full HD 1080p 25/30 fps image with a 1/2.7" 2 megapixel sensor or full HD 4 MP 20 fps image with a 1/3" 4 megapixel sensor
- Wide Dynamic Range, up to 120 dB, ensures glare-free images
- True Day/Night provides vivid color images by day and clear black-and-white images at night with ICR
- Excellent low-light performance with 3D noise reduction, saving storage and bandwidth

Flexible Surveillance Solution

- 2.7–12 mm motorized focus/zoom lens at F1.4
- H.264 and MJPEG codec, triple stream support
- IR LEDs provide up to 100 ft (30 m) of illumination in dimly lit or nighttime scenes (depending on scene reflectance)
- Smart IR technology provides even distribution of IR
- Weatherproof (IP66) and vandal-resistant (IK10) camera housing
- -30°C to 60°C (-22°F to 140°F) working temperature
- Plug-and-play compatible with Honeywell 4/8/16-channel Performance Series Embedded NVRs

Easy to Install and Use

- Built-in PoE (Power over Ethernet) eliminates need for separate power supply and associated wiring; 12 VDC inputs where PoE power is unavailable
- Remote configuration through web client or from the NVR
- Compatible with Honeywell's HQA-BB2 junction box, HQA-WK wall mount, HQA-PM pole mount, and HB34S2-CM corner mount

Market Opportunities

These flexible, fully featured cameras are ideal for a wide range of surveillance applications, providing excellent picture quality at minimal bandwidth while offering reliable protection against dust, dirt, and water.

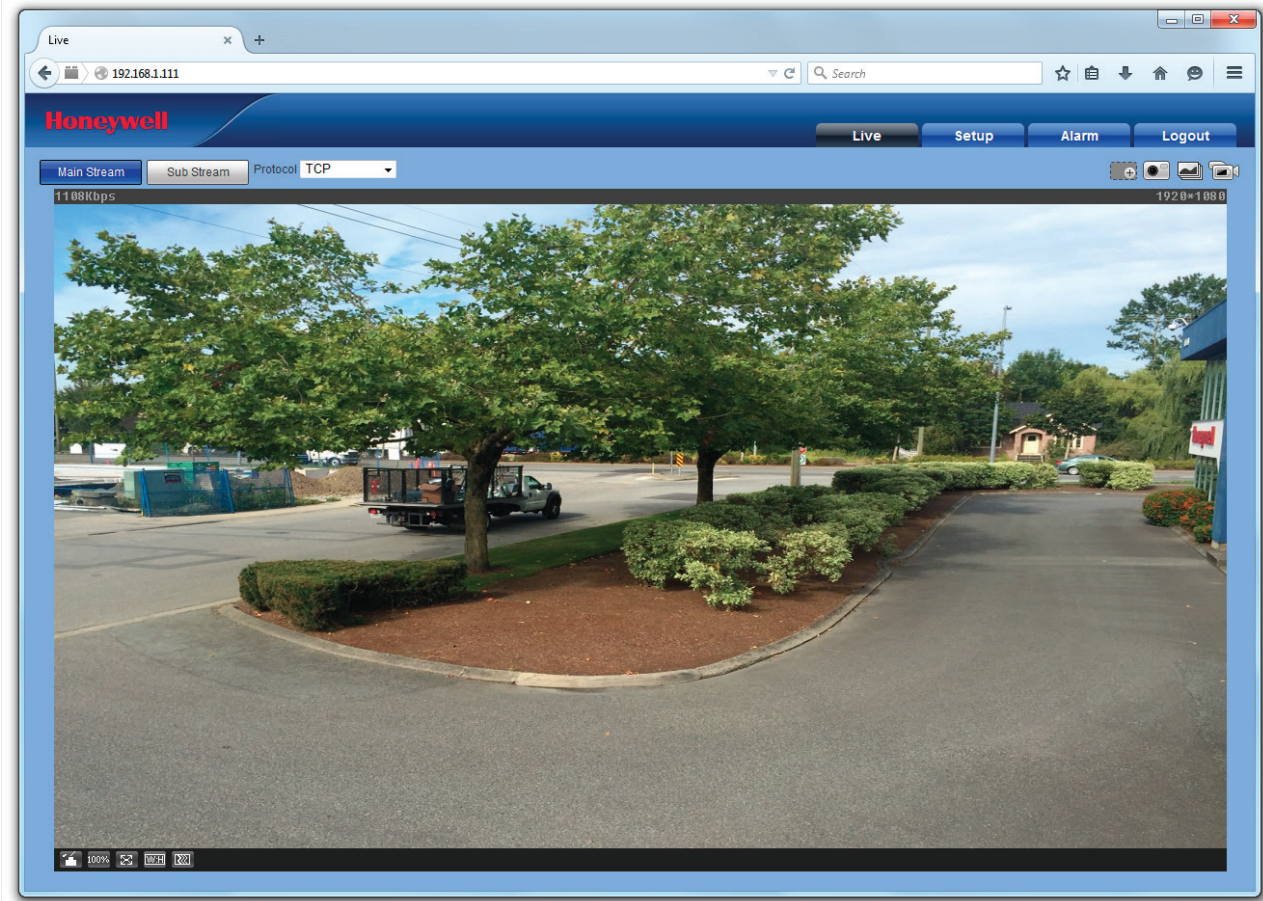
FEATURES AND BENEFITS

- 1/2.7" 2 MP or 1/3" 4 MP progressive scan imager
- 2.7–12 mm MFZ lens
- True day/night (IR-cut filter)
- Wide dynamic range up to 120 dB
- Low-light performance down to 0.1 lux (color) or 0 lux with IR LEDs on
- Up to 100 ft (30 m) IR illumination, depending on scene reflectance
- H.264 Main Profile compression
- Triple stream support
- Supports up to 20 connections
- Corridor mode
- PoE, 12 VDC support
- Plug-and-play compatible with Honeywell Performance Series Embedded NVRs
- IP66 and IK10-rated rugged housing

TDN WDR IR MFZ Mini Dome Camera

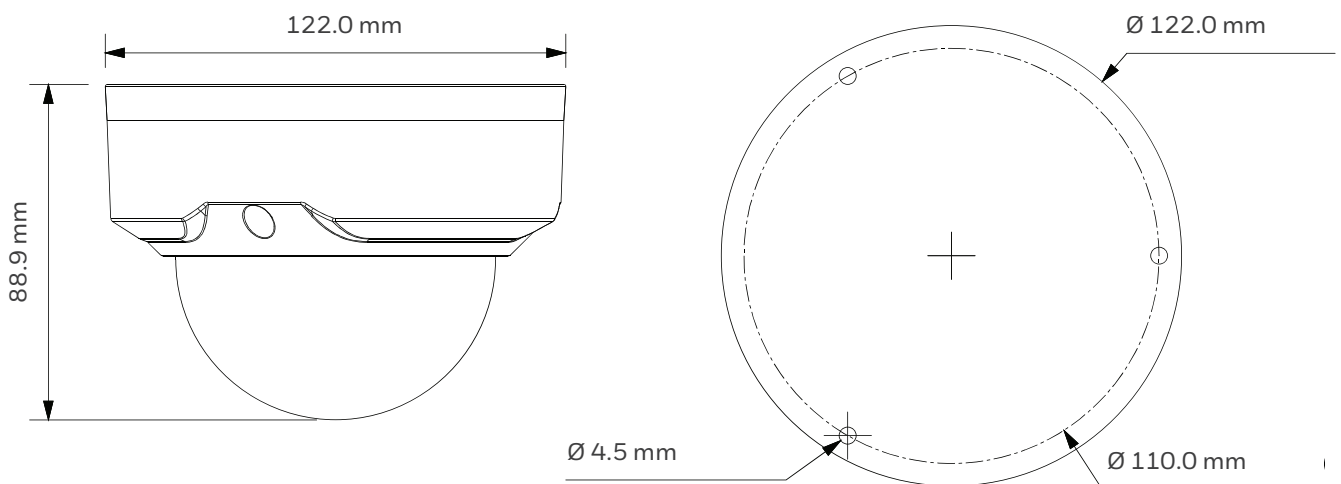
Security Features

The camera can be configured to automatically detect and respond to events such as motion in the scene and/or camera tampering. Automated responses include sending a notification through email, FTP, and/or HTTP, and sending a still image of the event through email and/or FTP. Setup can be done using the web client or from an NVR.



DIMENSIONS

H4W2PRV2/H4W4PRV2 Dimensions



TDN WDR IR MFZ Mini Dome Camera

SPECIFICATIONS

| OPERATIONAL | |
|--------------------------|-------------------------------------------------------------------------------------------------------------------------------------------------------------------------------------------------------------------------------------------------------------------------------------------------------------------------------------------------------------------------------------------------------------|
| VIDEO STANDARD | NTSC/PAL |
| SCANNING SYSTEM | Progressive scan |
| IMAGE SENSOR | H4W2PRV2: 1/2.7" 2 MP CMOS H4W4PRV2: 1/3" 4 MP CMOS |
| NUMBER OF PIXELS (H×V) | H4W2PRV2: 1920×1080 (2 MP) H4W4PRV2: 2688×1520 (4 MP) |
| MINIMUM ILLUMINATION | 0.1 lux, F1.4 (color) 0 lux (B/W with IR LEDs on) |
| S/N RATIO | 50 dB or more |
| ELECTRONIC SHUTTER SPEED | 1/3–1/100 000 s |
| IR DISTANCE | Up to 100 ft (30 m), depending on scene reflectance |
| DAY/NIGHT | Auto(ICR)/Color/BW |
| BACKLIGHT COMPENSATION | BLC/HLC/WDR (120 dB) |
| WHITE BALANCE | Auto/Manual |
| GAIN CONTROL | Auto/Manual |
| NOISE REDUCTION | 3DNR |
| PRIVACY MASKING | Up to 4 areas |
| MOTION DETECTION | Up to 4 areas |
| LENS | 2.7–12 mm, MFZ, F1.4 |
| HORIZONTAL ANGLE OF VIEW | H4W2PRV2: 93° - 35° H4W4PRV2: 86° - 30° |
| CORRIDOR MODE | Yes |
| VIDEO | |
| VIDEO COMPRESSION | H.264/H.264H/H.264B/MJPEG |
| FRAME RATE | H4W2PRV2: 25/30 fps @ 1920×1080 (2 MP), 25/30fps @ 1280×1024 (SXGA), 25/30fps @ 1280×960 (1.3 MP), 1280×720 (720p), 704×576/704×480 (D1), 352×288/352×240 (CIF) H4W4PRV2: 20 fps @ 2688×1520 (4 MP); 20 fps @ 2560×1440 (4 MP); 25/30 fps @ 2304×1296 (3 MP), 1920×1080 (1080p), 25/30fps @ 1280×1024 (SXGA), 25/30fps @ 1280×960 (1.3 MP), 1280×720 (720p), 704×576/704×480 (D1), 352×288/352×240 (CIF) |
| BIT RATE (H.264) | 32 Kbps – 10 Mbps |
| LOCAL STORAGE | microSD, 128 GB max. (not supplied) |

| NETWORK | |
|--------------------|------------------------------------------------------------------------------------------------------------------------------------------------------|
| ETHERNET | RJ-45 (10/100Base-T) |
| PROTOCOLS* | IPv4/IPv6, HTTP, HTTPS, SSL, TCP/IP, UDP, UPnP, ICMP, IGMP, SNMP, RTSP, RTP, SMTP, NTP, DHCP, DNS, PPPoE, DDNS, FTP, IP Filter, QoS, Bonjour, 802.1X |
| COMPATIBILITY | ONVIF Profile S, Profile G* |
| MAX. USER ACCESS | 20 users |
| MOBILE DEVICES | HonView Touch for iPhone and Android devices |
| ELECTRICAL | |
| POWER SUPPLY | PoE IEEE 802.3af Class 0, 12 VDC |
| POWER CONSUMPTION | 8.0 W max. |
| MECHANICAL | |
| DIMENSIONS | 122.0 × 88.9 mm (4.8 × 3.5 in.) |
| WEIGHT | 1.1 lb (0.5 kg) |
| CONSTRUCTION | Die-cast aluminum housing with powder coat |
| CONSTRUCTION COLOR | RAL 9003 (White) |
| ENVIRONMENTAL | |
| TEMPERATURE | -30°C to 60°C (-22°F to 140°F) |
| RELATIVE HUMIDITY | 0–95%, non-condensing |
| INGRESS PROTECTION | IP66 |
| VANDAL RESISTANCE | IK10 |
| REGULATORY | |
| EMISSIONS | FCC Part 15, CE (EN 55032) |
| IMMUNITY | CE (EN 50130-4) |
| SAFETY | North America UL Listed to UL/CSA 60950-1, CE (EN 60950-1) |

* Some development may be required in specific user cases to support some of these protocols in the field as they mature over time.

TDN WDR IR MFZ Mini Dome Camera

SPECIFICATIONS

SYSTEM INTEGRATION

OPEN IP INTEGRATION

ONVIF support and open API software integration. Refer to www.onvif.org for the ONVIF specification and the Honeywell Open Technology Alliance website (<http://www.security.honeywell.com/hota/>) to learn more about our open and integrated solutions



SYSTEM COMPATIBILITY

NVRS

| | |
|-------------|--------------------------------------------------------|
| HEN041*2(X) | H.264 4-Channel 1080p Embedded Network Video Recorder |
| HEN081*2(X) | H.264 8-Channel 1080p Embedded Network Video Recorder |
| HEN161*2(X) | H.264 16-Channel 1080p Embedded Network Video Recorder |

ORDERING

ACCESSORIES

MOUNTS

| | |
|-----------|--------------|
| HQA-BB2 | Junction box |
| HQA-WK | Wall mount |
| HQA-PM | Pole mount |
| HB34S2-CM | Corner mount |

CAMERAS

| | |
|----------|---------------------------------------------------------------------------------------------------------|
| H4W2PRV2 | Network TDN WDR IR Mini Dome Camera, 1/2.7" CMOS, 2 MP, 2.7-12 mm MFZ, 2 High Power IR LEDs, PoE, H.264 |
| H4W4PRV2 | Network TDN WDR IR Mini Dome Camera, 1/3" CMOS, 4 MP, 2.7-12 mm MFZ, 2 High Power IR LEDs, PoE, H.264 |

For more information

www.honeywell.com/security/uk

Honeywell Security and Fire

Aston Fields Road
Whitehouse Industrial Estate
Runcorn
Cheshire
WA7 3DL
UK
Tel: 08448 000 235
Fax: +44 (0)1928 754 050
www.honeywell.com

Honeywell reserves the right, without notification, to make changes in product design or specifications.

HSFV-PerfR2-MFZMiniDome-01-UK(0117)DS-E
January 2017
© 2017 Honeywell International Inc.

Honeywell