



**AXIS 216FD**  
**AXIS 216FD-V**  
**AXIS 216MFD**  
**AXIS 216MFD-V**  
**Fixed Dome Network Camera**

**Installation Guide**

ENGLISH

FRANÇAIS

DEUTSCH

ITALIANO

ESPAÑOL



# AXIS 216FD/216FD-V AXIS 216MFD/216MFD-V Installation Guide

This installation guide provides instructions for installing the AXIS 216FD, AXIS 216FD-V, AXIS 216MFD and AXIS 216MFD-V Fixed Network Dome Camera on your network. For all other aspects of using the product, please see the User's Manual, available on the CD included in this package, or from [www.axis.com/techsup](http://www.axis.com/techsup)

## Installation steps

1. Check the package contents against the list below.
2. Hardware overview. See page 4.
3. Install the hardware. See page 5.
4. Assign an IP address. See page 7.
5. Set the password. See page 10.
6. Adjust the focus. See page 11.
7. Complete the installation. See page 11.

**Important!**

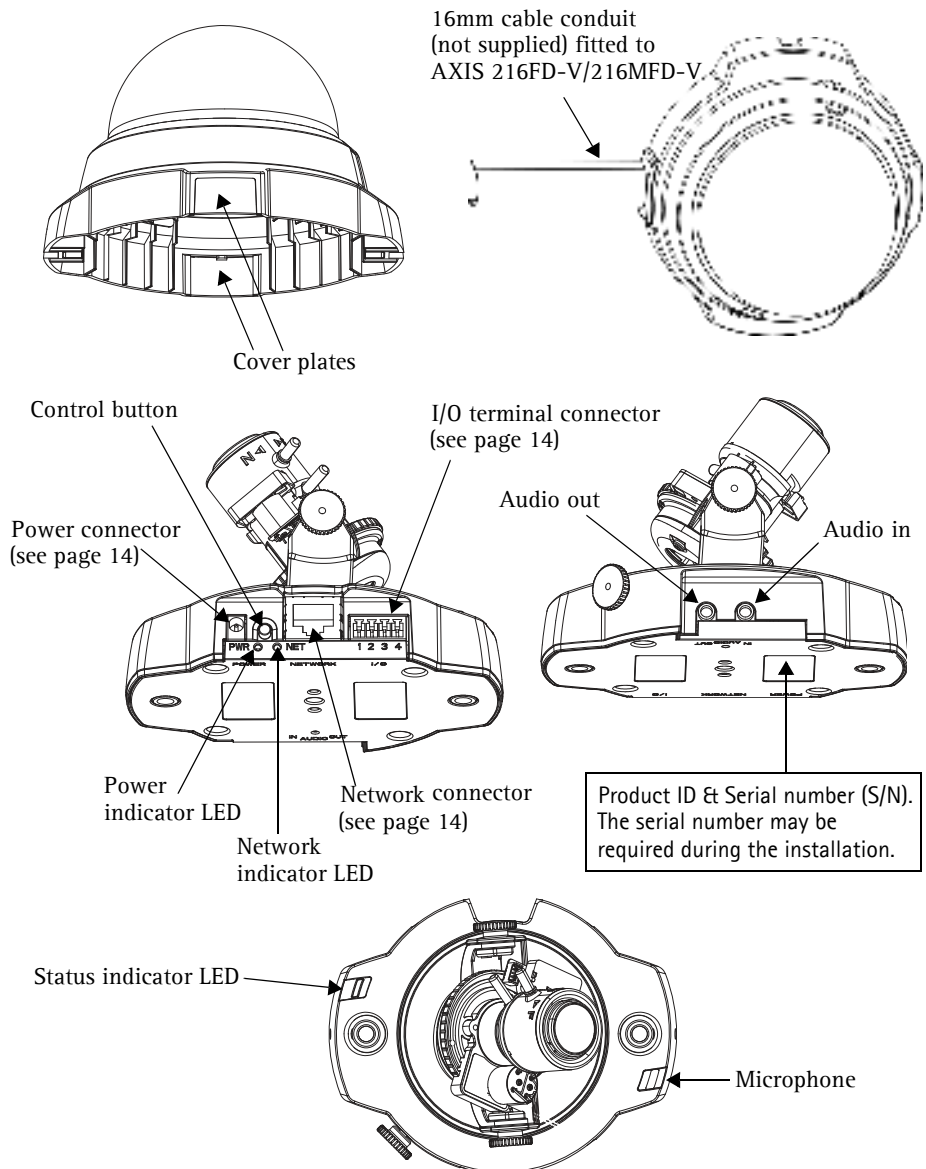
This product must be used in compliance with local laws and regulations.

## Package contents

| Item  | Models/variants/notes  |
|---|--|
| Fixed Dome Network camera                   | AXIS 216FD: tamper-resistant casing<br>AXIS 216FD-V: vandal-resistant casing<br>AXIS 216MFD: tamper-resistant casing<br>AXIS 216MFD-V: vandal-resistant casing |
| PS-H indoor power supply (country specific) | Europe<br>UK<br>Australia<br>USA/Japan<br>Argentina<br>Korea   |
| Power supply extension cable                | 1.8 meters   |
| Terminal block connector                    | 4-pin connector block for connecting external devices to the I/O terminal connector  |
| Mounting kit                                | Screwdriver for tamper-proof screws<br>Tamper-proof screws<br>Drill template   |
| CD  | AXIS Network Video Product CD, including product documentation, installation tools and other software  |
| Printed Materials                           | AXIS 216FD/216FD-V/216MFD/216MFD-V Installation Guide (this document)<br>Axis Warranty Document  |

ENGLISH

## Hardware overview



### Dimensions

HxWxD = 94 x 144 x 132mm (3.7" x 5.7" x 5.2")

Weight AXIS 216FD/AXIS 216MFD = 425g (0.94 lb) (power supply not included)

Weight AXIS 216FD-V/216MFD-V = 580g (1.28 lb) (power supply not included)

## Install the hardware

**!** **IMPORTANT!** - The casing of the AXIS 216FD/216FD-V/216MFD/216MFD-V is not approved for outdoor use - the product may only be installed in indoor environments.

### Mount the camera

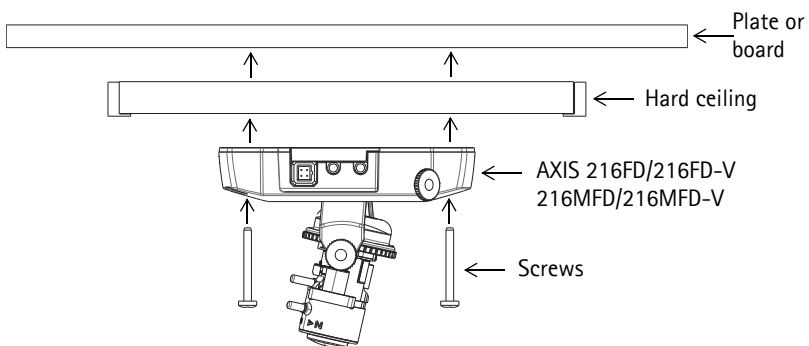
The AXIS 216FD/216FD-V/216MFD/216MFD-V can be mounted with the cables routed through the wall/ceiling, or from above or below. There are cover plates for the openings on both sides of the dome cover. The AXIS 216FD-V/216MFD-V can also be fitted with a metal conduit for protecting the cabling when connected via the side openings. See the illustrations on page 4.

1. Using the drill template, drill two holes in the ceiling/wall.
2. Route and connect all the required cables. See *Connect the cables*, below.
3. Fasten the camera unit to a ceiling or wall, using screws and plugs appropriate for the ceiling/wall material.
4. Ensure the camera is positioned so that the tamper-proof screws can be tightened using the supplied screwdriver.

### Mounting on a hard ceiling

To mount the AXIS 216FD/216FD-V/216MFD/216MFD-V on a hard ceiling, check that the ceiling material is sturdy enough to hold the weight of the camera.

The camera can also be secured using a plate or board that better carries the weight of the camera, and which is more suitable for securing the screws.



The AXIS 216FD/AXIS 216MFD can also be mounted using the AXIS 216FD/AXIS 216MFD Drop Ceiling Mount, which allows the camera to be mounted more discreetly. Please see [www.axis.com](http://www.axis.com) for all available mounting accessories.

## Connect the cables



1. Connect the camera to the network using a shielded network cable.
2. Optionally connect external input/output devices, e.g. alarm devices. See page 14 for information on the terminal connector pins.
3. Optionally connect an active speaker and/or external microphone.
4. Connect power, using one of the methods listed below:
  - PoE (Power over Ethernet). If available, this is automatically detected when the network cable is connected (see above).
  - Connect the supplied indoor power supply to the power connector on the camera.
5. Check that the indicator LED:s indicate the correct conditions. See the table on page 15 for further details. Note that some LEDs can be disabled and may be unlit.

## Assign an IP address

Most networks today have a DHCP server that automatically assigns IP addresses to connected devices. If your network does not have a DHCP server the AXIS 216FD/216FD-V/216MFD/216MFD-V will use 192.168.0.90 as the default IP address.

If you would like to assign a static IP address the recommended method in Windows is either **AXIS IP Utility** or **AXIS Camera Management**. Depending on the number of cameras you wish to install, use the method that best suits your purpose.

Both of these free applications are available on the Axis Network Video Product CD supplied with this product, or they can be downloaded from [www.axis.com/techsup](http://www.axis.com/techsup)

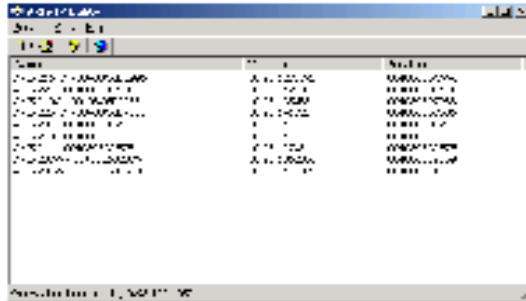
| Method   | Recommended for   | Operating system                                      |
|--|---|---|
|  AXIS IP Utility<br>See page 8        | Single camera<br>Small installations  | Windows   |
|  AXIS Camera Management<br>See page 9 | Multiple cameras<br>Large installations<br>Installation on a different subnet | Windows 2000<br>Windows XP Pro<br>Windows 2003 Server |

### Notes:

- If assigning the IP address fails, check that there is no firewall blocking the operation.
- For other methods of assigning or discovering the IP address of the AXIS 216FD/216FD-V/216MFD/216MFD-V, e.g. in other operating systems, see page 13.

## AXIS IP Utility - single camera/small installation

AXIS IP Utility automatically discovers and displays Axis devices on your network. The application can also be used to manually assign a static IP address.




Note that the computer running AXIS IP Utility must be on the same network segment (physical subnet) as the AXIS 216FD/216FD-V/216MFD/216MFD-V.

### Automatic discovery

1. Check that the AXIS 216FD/216FD-V/216MFD/216MFD-V is connected to the network and that power has been applied.
2. Start AXIS IP Utility.
3. When the camera appears in the window, double-click it to open its home page.
4. See page 10 for instructions on how to assign the password.

### Assign the IP address manually (optional)

1. Acquire an unused IP address on the same network segment as your computer.
2. Select the AXIS 216FD/AXIS 216MFD in the list.
3. Click the button  Assign new IP address to the selected device and enter the IP address.
4. Click the Assign button and follow the instructions.
5. Click the Home Page button to access the camera's web pages.
6. See page 10 for instructions on how to set the password.

### Note:

AXIS 216FD and AXIS 216FD-V will display in AXIS Camera Management as AXIS 216FD. AXIS 216MFD and AXIS 216MFD-V will display in AXIS Camera Management as AXIS 216MFD.



## AXIS Camera Management - multiple cameras/large installations


AXIS Camera Management can automatically discover multiple Axis devices, show connection status, manage firmware upgrades and set IP addresses.



### Automatic discovery

1. Check that the camera is connected to the network and that power has been applied.
2. Start AXIS Camera Management. When the AXIS 216FD/AXIS 216MFD appears in the window, double-click it to open the camera's home page.
3. See page 10 for instructions on how to set the password.


### Assign an IP address in a single device

1. Select AXIS 216FD/AXIS 216MFD in AXIS Camera Management and click the Assign IP button. 
2. Select Assign the following IP address and enter the IP address, the subnet mask and default router the device will use.
3. Click the OK button.



### Assign IP addresses in multiple devices

AXIS Camera Management speeds up the process of assigning IP addresses to multiple devices, by suggesting IP addresses from a specified range.

1. Select the devices you wish to configure (different models can be selected) and click the Assign IP button. 
2. Select Assign the following IP address range and enter the range of IP addresses, the subnet mask and default router the devices will use.
3. Click the OK button.



### Note:

AXIS 216FD and AXIS 216FD-V will display in AXIS Camera Management as AXIS 216FD. AXIS 216MFD and AXIS 216MFD-V will display in AXIS Camera Management as AXIS 216MFD.

## Set the password

When accessing the AXIS 216FD/216FD-V/216MFD/216MFD-V for the first time, the 'Configure Root Password' dialog will be displayed.



1. Enter a password and then re-enter it, to confirm the spelling. Click OK.
2. Enter the user name root in the 'Enter Network Password' dialog.  
Note: The default administrator user name root cannot be deleted.
3. Enter the password as set above, and click OK. If the password is lost, the AXIS 216FD/216FD-V/216MFD/216MFD-V must be reset to the factory default settings. See page 16.
4. If required, click Yes to install AMC (AXIS Media Control), which allows viewing of the video stream in Internet Explorer. You will need administrator rights on the computer to do this.

The Live View page of the AXIS 216FD/216FD-V/216MFD/216MFD-V is displayed, with links to the Setup tools, which allow you to customize the camera. Note that both AXIS 216FD/216FD-V will display in the browser as AXIS 216FD and AXIS 216MFD/216MFD-V will display in the browser as the AXIS 216MFD.

**Setup** - Provides all the tools for configuring the camera to requirements.

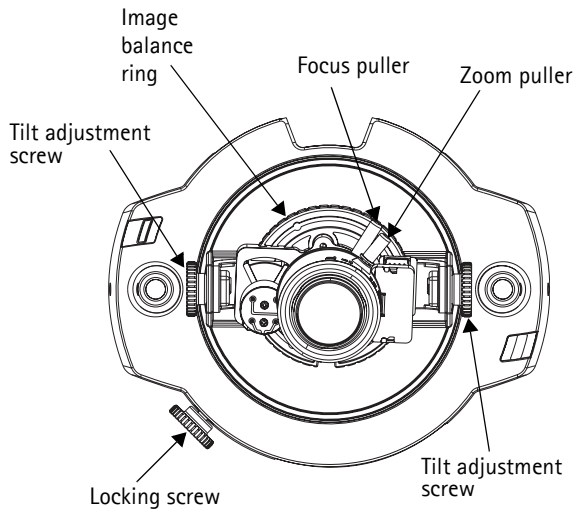


**Help** - Displays online help on all aspects of using the camera.

## Adjust the image and focus

Open the Live View page in the web interface and make the following adjustments to the camera:

1. Loosen the locking screw and tilt adjustment screws.
2. Turn the lens to the desired position.
3. Once satisfied, gently tighten the locking screw and tilt adjustment screws to secure the camera's position.
4. Turn the image balance ring to set the horizontal position.
5. Open the Focus Adjustment page in the Web interface under **Basic Configuration > Focus** and follow the on-screen instructions. Use the image window to adjust the focus and zoom.
6. To set the focus and zoom, loosen the zoom and focus pullers anti-clockwise and rotate the rings.



ENGLISH

### Note:

Due to the dome's refraction, the image might appear slightly out of focus once the dome has been placed. To compensate, focus on an object slightly closer than the intended area.

7. Lock the focus and zoom pullers in position by rotating the screws clockwise.

The image can also be fine-tuned for low lighting conditions.

Go to **Setup > Video & Image > Advanced** and see the online help for more information.

## Complete the installation

1. Rotate the black protective shield inside the dome casing to match the camera's position.
2. Clean the dome with a dry soft cloth to remove dust and finger prints and use a blower to remove dust from the lens.
3. Mount the dome casing using the supplied tamper-proof screws and screw driver.
4. Now that the dome is in place, double-check that the camera is properly focused.
5. The installation is now complete.

## Accessing the camera from the Internet

Once installed, your AXIS 216FD/216FD-V/216MFD/216MFD-V is accessible on your local network (LAN). To access the camera from the Internet, network routers must be configured to allow incoming traffic, which is usually done on a specific port. Please refer to the documentation for your router for further instructions. For more information on this and other topics, visit the Axis Support Web at [www.axis.com/techsup](http://www.axis.com/techsup)

## Other methods of setting the IP address

The table below shows the other methods available for setting or discovering the IP address. All methods are enabled by default, and all can be disabled.

|                              | Use in operating system | Notes  |
|------------------------------|-------------------------|--|
| UPnP™                        | Windows (ME or XP)      | When enabled on your computer, the camera is automatically detected and added to "My Network Places."  |
| Bonjour                      | MAC OSX (10.4 or later) | Applicable to browsers with support for Bonjour. Navigate to the Bonjour bookmark in your browser (e.g. Safari) and click on the link to access the camera's web pages.  |
| AXIS Dynamic DNS Service     | All                     | A free service from Axis that allows you to quickly and simply install your camera. Requires an Internet connection with no HTTP proxy. See <a href="http://www.axiscam.net">www.axiscam.net</a> for more information. |
| ARP/Ping                     | All                     | See below. The command must be issued within 2 minutes of connecting power to the camera.  |
| View DHCP server admin pages | All                     | To view the admin pages for the network DHCP server, see the server's own documentation.   |

### Set the IP address with ARP/Ping

1. Acquire an IP address on the same network segment your computer is connected to.
2. Locate the serial number (S/N) on the AXIS 216FD/216FD-V/216MFD/216MFD-V label.
3. Open a command prompt on your computer and enter the following commands:

| Windows syntax   | Windows example  |
|--|--|
| <pre>arp -s &lt;IP Address&gt; &lt;Serial Number&gt; ping -l 408 -t &lt;IP Address&gt;</pre>   | <pre>arp -s 192.168.0.125 00-40-8c-18-10-00 ping -l 408 -t 192.168.0.125</pre>   |
| UNIX/Linux/Mac syntax  | UNIX/Linux/Mac example   |
| <pre>arp -s &lt;IP Address&gt; &lt;Serial Number&gt; temp ping -s 408 &lt;IP Address&gt;</pre> | <pre>arp -s 192.168.0.125 00:40:8c:18:10:00 temp ping -s 408 192.168.0.125</pre> |

4. Check that the network cable is connected to the camera and then start/restart the camera, by disconnecting and reconnecting power.
5. Close the command prompt when you see 'Reply from 192.168.0.125: ...' or similar.
6. In your browser, type in `http://<IP address>` in the Location/Address field and press Enter on your keyboard.

### Notes:

- To open a command prompt in Windows: from the Start menu, select Run... and type cmd. Click OK.
- To use the ARP command on a Mac OS X, use the Terminal utility in Application > Utilities.

## Unit connectors

**Network connector** - RJ-45 Ethernet connector. Supports Power over Ethernet. Using shielded cables is recommended.

**Power connector** - Mini DC connector. 5.1V DC, max 3.8W. See product label for  $\pm$  connection.

**Audio in** - 3.5mm input for a mono microphone, or a line-in mono signal (left channel is used from a stereo signal).

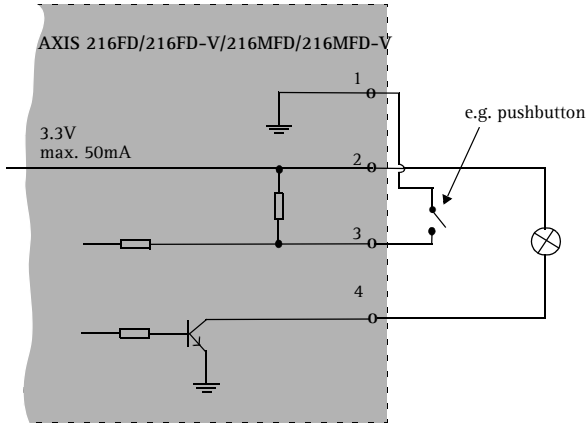
**Audio out** - Audio output (line level) that can be connected to a public address (PA) system or an active speaker with a built-in amplifier. A pair of headphones can also be attached. A stereo connector must be used for the audio out.

**I/O terminal connector** - Used in applications for e.g. motion detection, event triggering, time lapse recording and alarm notifications. It provides the interface to:

- 1 transistor output - For connecting external devices such as relays and LEDs. Connected devices can be activated by AXIS VAPIX AP, output buttons on the Live View page or by an Event Type. The output will show as active (shown under Event Configuration > Port Status) if the alarm device is activated.
- 1 digital input - An alarm input for connecting devices that can toggle between an open and closed circuit, for example: PIRs, door/window contacts, glass break detectors, etc. When a signal is received the state changes and the input becomes active (shown under Event Configuration > Port Status).
- Auxiliary power and GND

| Function          | Pin number | Notes  | Specifications  |
|-------------------|------------|--|---|
| GND               | 1          |  |   |
| 3.3V DC Power     | 2          | Can be used to power auxiliary equipment.<br><br>Note: This pin can <u>only</u> be used as power out.  | Max load = 50mA   |
| Digital Input     | 3          | Connect to GND to activate, or leave floating (or unconnected) to deactivate.  | Must not be exposed to voltages greater than 10V DC         |
| Transistor Output | 4          | Uses an open-collector NPN transistor with the emitter connected to the GND pin. If used with an external relay, a diode must be connected in parallel with the load, for protection against voltage transients. | Max load = 50mA<br>Max voltage = 24V DC (to the transistor) |

## Connection diagram



ENGLISH

## LED indicators

| LED     | Color | Indication   |
|---------|-------|--|
| Network | Green | Steady for connection to a 100 Mbit/s network. Flashes for network activity.   |
|         | Amber | Steady for connection to 10 Mbit/s network. Flashes for network activity.  |
|         | Unlit | No network connection.   |
| Status  | Green | Steady green for normal operation.<br>Note: The Status LED can be configured to be unlit during normal operation, or to flash only when the camera is accessed. To configure, go to <b>Setup &gt; System Options &gt; LED settings</b> . See the online help files for more information. |
|         | Amber | Steady during startup, during reset to factory default or when restoring settings.   |
|         | Red   | Slow flash for failed upgrade.   |
| Power   | Green | Normal operation.  |
|         | Amber | Flashes green/amber during firmware upgrade.   |

## Resetting to the Factory Default Settings

This will reset all parameters, including the IP address, to the Factory Default settings:

1. Disconnect power from the camera.
2. Press and hold the Control button and reconnect power.
3. Keep the control button pressed until the Status Indicator displays amber (this may take up to 15 seconds).
4. When the Status Indicator displays green (which can take up to 1 minute) the process is complete and the camera has been reset.
5. Re-assign the IP address, using one of the methods described in this document.

It is also possible to reset parameters to the original factory default settings via the web interface. For more information, please see the online help or the user's manual.

## Further information

The user's manual is available from the Axis Web site at [www.axis.com](http://www.axis.com) or from the Axis Network Video Product CD supplied with this product.

**Tip!**

Visit [www.axis.com/techsup](http://www.axis.com/techsup) to check if there is updated firmware available for your AXIS 216FD/216FD-V/216MFD/216MFD-V. To see the currently installed firmware version, see the Basic Configuration web page in the product's Setup tools.



# AXIS 216FD/216FD-V AXIS 216MFD/216MFD-V Guide d'installation

Ce guide d'installation vous explique comment installer la AXIS 216FD, AXIS 216FD-V, AXIS 216MFD, et AXIS 216MFD-V sur votre réseau. Pour d'autres informations sur l'utilisation de ce produit, consultez le Manuel de l'utilisateur, disponible sur le CD fourni, ou visitez le site [www.axis.com/techsup](http://www.axis.com/techsup)

## Étapes de l'installation

1. Vérifiez le contenu de la livraison à l'aide de la liste ci-dessous.
2. Présentation du matériel. Reportez-vous à la page 18.
3. Installez le matériel. Reportez-vous à la page 19.
4. Paramétrez une adresse IP. Reportez-vous à la page 21.
5. Définissez le mot de passe. Reportez-vous à la page 24.
6. Réglez la mise au point. Reportez-vous à la page 25.
7. Complétez l'installation. Reportez-vous à la page 25.

### Important !

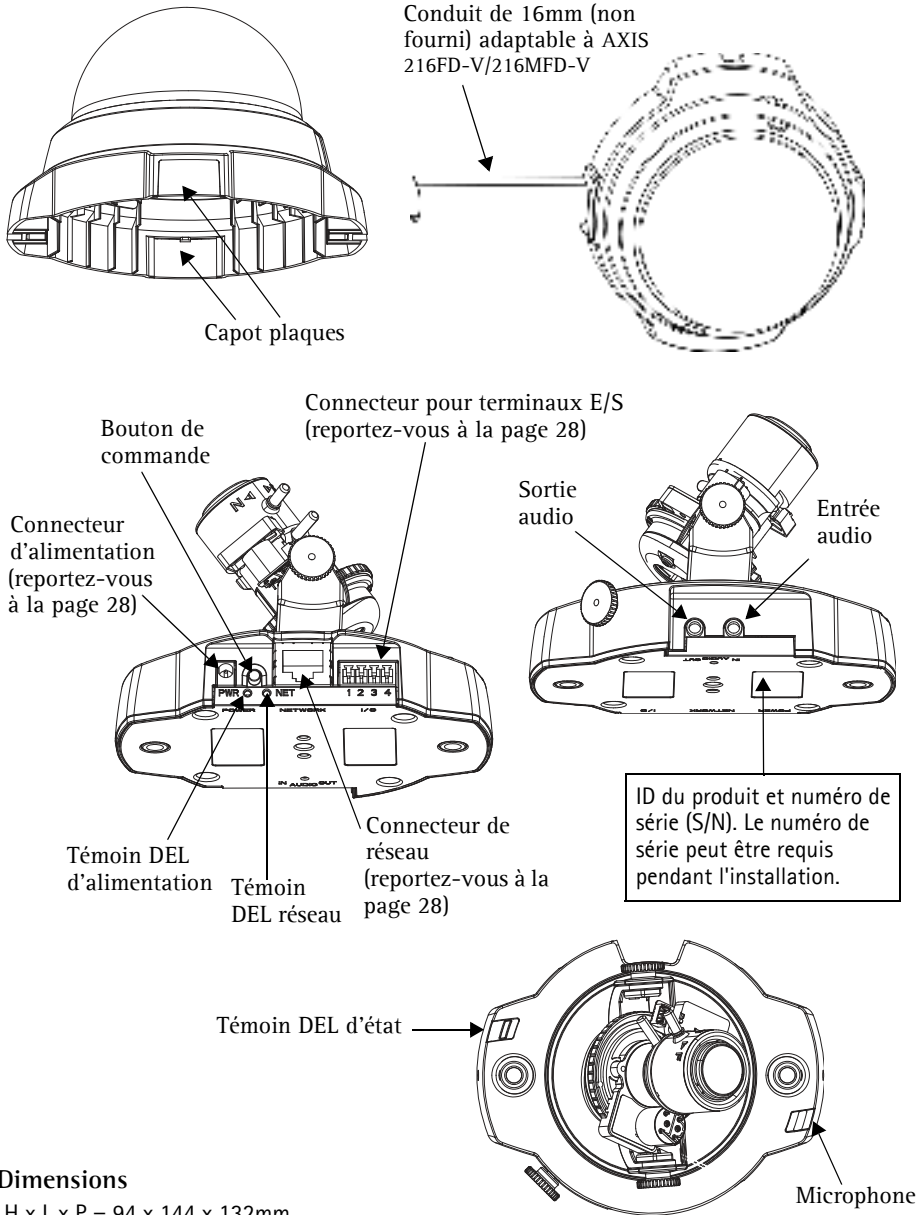
Ce produit doit être utilisé conformément aux lois et dispositions locales en vigueur.

FRANCAIS

## Contenu de l'emballage

| Article                                       | Modèles/variantes/remarques  |
|---|--|
| Caméra réseau                                 | AXIS 216FD: boîtier invoyable<br>AXIS 216FD-V: boîtier à l'épreuve du vandalisme<br>AXIS 216MFD: boîtier invoyable<br>AXIS 216MFD-V: boîtier à l'épreuve du vandalisme |
| Alimentation intérieure PS-H (dépend du pays) | Europe<br>Royaume-Uni<br>Australie<br>États-Unis/Japon<br>Argentine<br>Corée   |
| Prolongateur de câble d'alimentation          | 1,8 mètres   |
| Connecteur pour terminaux                     | Connecteur 4 broches pour la connexion d'équipements externes au connecteur E/S  |
| Kit de montage                                | Tournevis pour vis inviolables<br>Vis inviolables<br>Gabarit de perçage  |
| CD  | CD de la caméra vidéo réseau Axis comprenant les outils d'installation, les autres logiciels et la documentation   |
| Documentation                                 | AXIS 216FD/216FD-V/216MFD/216MFD-V Guide d'installation (le présent document)<br>Document de garantie d'Axis   |

## Présentation du matériel



### Dimensions

H x L x P = 94 x 144 x 132mm

Poids AXIS 216FD/AXIS 216MFD = 425g (alimentation exclue)

Poids AXIS 216FD-V/216MFD-V = 580g (alimentation exclue)

## Installation du matériel

- !
**IMPORTANT!** - Le boîtier de l'AXIS 216FD/216FD-V/216MFD/216MFD-V n'est pas approuvé pour une utilisation extérieure - Le produit doit être uniquement installé en intérieur.

### Montage de la caméra

La caméra AXIS 216FD/216FD-V/216MFD/216MFD-V peut être montée avec les câbles d'alimentation et réseau acheminés dans le mur/plafond, ou depuis le haut ou le bas. Vous disposez de plaques d'obturation pour les ouvertures des deux côtés du capot du dôme. L'AXIS 216FD-V/216MFD-V peut aussi être équipé avec un conduit en métal afin de protéger le câblage lorsqu'il est connecté par les ouvertures latérales. Consultez les figures de la page 18.

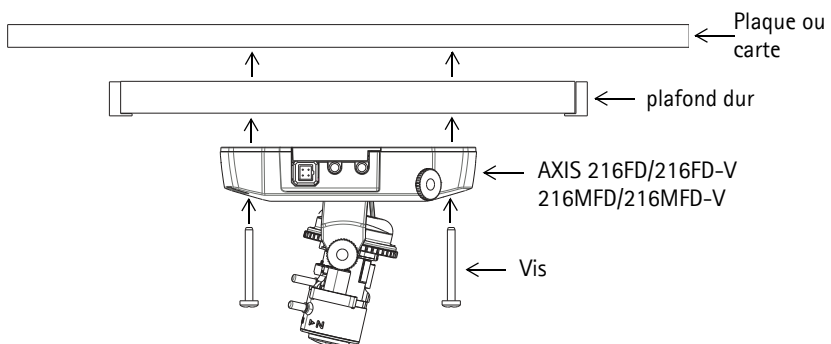
1. Avec le gabarit de perçage, percez deux trous dans le plafond/mur.
2. Orienter et connecter tous les câbles nécessaires. Voir *Branchement des câbles*, en bas.
3. Fixez la caméra au plafond ou au mur à l'aide des vis et des chevilles appropriées.
4. Veillez à ce que la caméra soit positionnée de telle manière que les vis inviolables puissent être serrées à l'aide du tournevis fourni.

FRANÇAIS

### Montage au plafond dur

Pour monter l'AXIS 216FD/216FD-V/216MFD/216MFD-V au plafond dur, vérifiez si le matériau du plafond est assez solide pour soutenir le poids de la caméra.

Pour fixer la caméra, vous pouvez utiliser une plaque ou une carte supportant le poids de la caméra, qui sera plus adaptée à la fixation des vis.



The AXIS 216FD/AXIS 216MFD peut aussi être montée à l'aide de l'AXIS 216FD/AXIS 216MFD Drop Ceiling Mount, qui permet de placer la caméra plus discrètement. Voir [www.axis.com](http://www.axis.com) pour les accessoires de montage disponibles.

## Branchement des câbles



1. Connectez la caméra à votre réseau à l'aide d'un câble de réseau blindé.
2. Si vous le souhaitez, connectez des dispositifs externes, par exemple des dispositifs d'alarme. Reportez-vous à la page 28 pour plus d'informations sur les broches du connecteur pour terminaux.
3. Si vous le souhaitez, connectez un haut-parleur actif pour la transmission audio bidirectionnelle.
4. Branchez l'alimentation à l'aide de l'une des méthodes reprises ci-dessous.
  - PoE (Alimentation électrique par câble ethernet). Si disponible, ceci est automatiquement détecté quand le câble réseau est connecté (Voir au -dessus).
  - Branchez l'alimentation intérieure fournie au connecteur d'alimentation de la caméra.
5. Vérifiez que les témoins DEL indiquent les conditions correctes. Pour plus d'informations, consultez le tableau à la page 29. Notez que certains témoins DEL peuvent être désactivés et éteints.

## Attribution d'une adresse IP

Aujourd'hui, la plupart des réseaux comportent un serveur DHCP qui attribue automatiquement des adresses IP aux dispositifs connectés. Si ce n'est pas le cas de votre réseau, l'AXIS 216FD/216FD-V/216MFD/216MFD-V utilisera l'adresse IP par défaut 192.168.0.90.

Si vous souhaitez affecter une adresse IP statique, sous Windows nous recommandons l'utilisation de l'application **AXIS IP Utility** ou de l'application **AXIS Camera Management**. Selon le nombre de caméras à installer, utilisez la méthode qui vous convient le mieux.

Ces deux applications gratuites sont disponibles sur le CD de la caméra vidéo réseau Axis fourni avec ce produit. Vous pouvez également les télécharger à partir du site [www.axis.com/techsup](http://www.axis.com/techsup).

| Méthode   | Recommandée pour  | Système d'exploitation                                |
|---|---|---|
|  <b>AXIS IP Utility</b><br>Voir page 22        | Une seule caméra<br>Les petites installations   | Windows   |
|  <b>AXIS Camera Management</b><br>Voir page 23 | Plusieurs caméras<br>Les grandes installations<br>Installation sur un autre sous-réseau | Windows 2000<br>Windows XP Pro<br>Windows 2003 Server |

### Remarques

- En cas d'échec de l'attribution de l'adresse IP, vérifiez qu'aucun pare-feu ne bloque l'opération.
- Pour connaître les autres méthodes d'affectation ou de repérage de l'adresse IP de la caméra AXIS 216FD/216FD-V/216MFD/216MFD-V, par exemple sur d'autres systèmes d'exploitation, reportez-vous à la page 24.

## AXIS IP Utility - Une seule caméra/petite installation

L'utilitaire AXIS IP Utility détecte et affiche automatiquement les périphériques Axis de votre réseau. Cette application sert également à attribuer manuellement une adresse IP statique.




Notez que l'ordinateur exécutant l'application AXIS IP Utility doit se trouver sur le même segment de réseau (sous-réseau physique) que l'appareil AXIS 216FD/216FD-V/216MFD/216MFD-V.

### Détection automatique

1. Vérifiez que l'appareil AXIS 216FD/AXIS 216MFD est connecté au réseau et sous tension.
2. Démarrez AXIS IP Utility.
3. Lorsque l'icône de la caméra apparaît dans la fenêtre, double-cliquez dessus pour ouvrir la page d'accueil correspondante.
4. Consultez la page 24 pour savoir comment affecter le mot de passe.

### Définissez manuellement l'adresse IP (optionnel)

1. Trouvez une adresse IP inutilisée sur le même segment de réseau que celui de votre ordinateur.
2. Sélectionnez le nom abrégé du produit dans la liste.
3. Cliquez sur le bouton **Paramétrer une nouvelle adresse IP de l'outil sélectionné.** 
4. Cliquez sur le bouton **Paramétrer** et suivez les instructions.
5. Cliquez sur le bouton **Page d'accueil** pour accéder aux pages Web de la caméra.
6. Consultez la page 24 pour savoir comment définir le mot de passe.

### Remarque:

AXIS 216FD et AXIS 216FD-V vont être visualisées dans AXIS IP Utility comme AXIS 216FD, AXIS 216MFD et AXIS 216MFD-V comme AXIS 216MFD.

## AXIS Camera Management – Plusieurs caméras/grandes installations


AXIS Camera Management peut détecter automatiquement plusieurs dispositifs Axis, afficher les états de connexion, gérer les mises à niveau du microcode et définir les adresses IP.



### Détection automatique

1. Vérifiez que la caméra est connectée au réseau et que l'alimentation est activée.
2. Démarrez AXIS Camera Management. Double-cliquez sur l'icône de l'AXIS 216FD/216FD-V/216MFD/216MFD-V lorsqu'elle apparaît dans la fenêtre de façon à ouvrir la page d'accueil.
3. Consultez la page 24 pour savoir comment définir le mot de passe.


### Attribuer une adresse IP à un seul dispositif

1. Sélectionnez AXIS 216FD/AXIS 216MFD dans l'application AXIS Camera Management, puis cliquez sur le bouton Assign IP (Affecter une IP). 
2. Sélectionnez Assign the following IP address (Affecter l'adresse IP suivante) et saisissez la plage d'adresse IP, le masque de sous-réseau et le routeur par défaut que le dispositif utilisera.
3. Cliquez sur le bouton OK.



### Attribuer des adresses IP à plusieurs dispositifs

AXIS Camera Management accélère le processus d'affectation d'adresses IP sur plusieurs appareils en suggérant les adresses IP parmi une plage spécifiée.

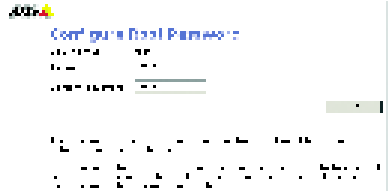
1. Sélectionnez les appareils à configurer (il peut s'agir de plusieurs modèles), puis cliquez sur le bouton Assign IP (Affecter une adresse IP). 
2. Sélectionnez Assign the following IP address range (Affecter la plage d'adresses IP suivante) et saisissez la plage d'adresses IP, le masque de sous-réseau et le routeur par défaut que les dispositifs utiliseront.
3. Cliquez sur le bouton OK.



**Remarque:** AXIS 216FD et AXIS 216FD-V vont être visualisées dans AXIS Camera Management comme AXIS 216FD, AXIS 216MFD et AXIS 216MFD-V comme AXIS 216MFD.

## Définition du mot de passe

Si vous accédez à la caméra AXIS 216FD/216FD-V/216MFD/216MFD-V pour la première fois, la boîte de dialogue **Configure Root Password** (Configurer le mot de passe root) s'affiche.



1. Entrez un mot de passe et entrez-le une seconde fois pour en confirmer l'orthographe. Cliquez sur **OK**.
2. Saisissez le nom d'utilisateur root dans la boîte de dialogue **Enter Network Password** (Entrer le mot de passe réseau).  
Remarque: le nom d'utilisateur par défaut de l'administrateur, à savoir root, ne peut pas être supprimé.
3. Entrez le mot de passe comme expliqué ci-dessus, puis cliquez sur **OK**. Si vous avez oublié votre mot de passe, vous devrez rétablir les paramètres d'usine par défaut de la caméra AXIS 216FD/216FD-V/216MFD/216MFD-V. Reportez-vous à la page 30.
4. Si nécessaire, cliquez sur **Yes** (Oui) pour installer AMC (Axis Media Control) afin de pouvoir visualiser le flux vidéo dans Internet Explorer. Pour ce faire, vous devrez être connecté à votre ordinateur avec les droits d'administrateur.

La page **Live View** (Vidéo en direct) de la caméra AXIS 216FD/216FD-V/216MFD/216MFD-V s'affiche, avec des liens vers les outils de configuration pour adapter la caméra à vos besoins. AXIS 216FD et AXIS 216FD-V vont être visualisées dans le navigateur comme AXIS 216FD, AXIS 216MFD et AXIS 216MFD-V comme AXIS 216MFD

**Setup** (Configuration): contient tous les outils nécessaires pour adapter la caméra à vos besoins.



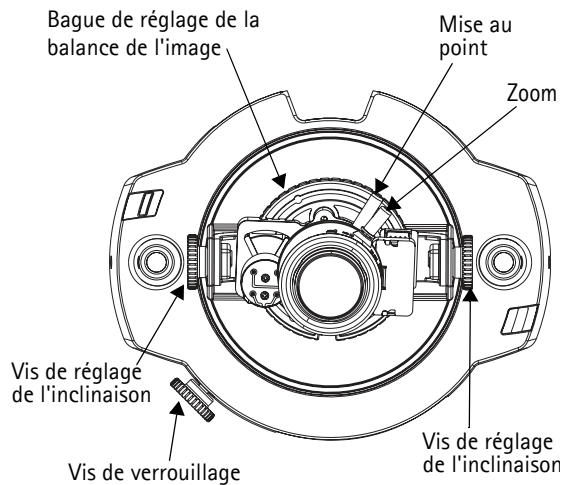
**Help** (Aide): affiche une aide en ligne sur l'utilisation de la caméra.



## Réglage de la mise au point

Ouvrez la page Live View (Vidéo en direct) dans l'interface Internet et effectuez les réglages suivants sur la caméra :

1. Dévissez la vis de verrouillage et les vis de réglage de l'inclinaison.
2. Tournez l'objectif jusqu'à la position souhaitée.
3. Une fois que vous avez terminé, serrez délicatement la vis de verrouillage et les vis de réglage de l'inclinaison pour bien fixer la caméra.
4. Tournez la vis de réglage de la balance pour définir la position horizontale.
5. Ouvrez la page Focus Adjustment (Réglage et mise au point) de l'interface Web sous **Basic Configuration > Focus** (Configuration de base > Mise au point) et suivez les instructions à l'écran. Utilisez la fenêtre d'image pour régler le zoom et la mise au point.
6. Pour régler le zoom et la mise au point, desserrez les commandes correspondantes en tournant dans le sens inverse des aiguilles d'une montre, puis faites tourner les bagues.



**Remarque:** Dû à la réfraction du dôme, l'image peut apparaître légèrement hors du foyer une fois que le dôme est placé. Pour compenser, il faut mettre le foyer légèrement proche de la zone préférée.

7. Verrouillez les commandes de zoom et de mise au point en serrant les vis dans le sens des aiguilles d'une montre.

L'image peut également être ajustée en cas de faible éclairage. Accédez à **Setup > Video Et Image > Advanced** (Configuration > Vidéo et image > Options avancées) et consultez les fichiers d'aide pour en savoir plus.

## Terminer l'installation

1. Tournez l'écran protecteur noir à l'intérieur du boîtier du dôme, conformément à la position de la caméra.
2. Nettoyez le dôme avec un chiffon doux et sec pour enlever la poussière et les traces de doigt. Dépoussiérez l'objectif avec un ventilateur.
3. Montez le boîtier du dôme à l'aide des vis inviolables et du tournevis fournis.
4. Une fois le dôme à sa place, vérifiez le foyer est correctement ajusté.
5. L'installation est terminée.

## Accès à la caméra depuis Internet

Une fois installée, votre caméra AXIS 216FD/216FD-V/216MFD/216MFD-V est accessible depuis votre réseau local (LAN). Pour accéder à la caméra depuis Internet, vous devez configurer les routeurs réseau afin d'autoriser l'entrée de données, ce qui se fait généralement sur un port spécifique. Consultez la documentation de votre routeur pour obtenir davantage d'instructions.

Pour de plus amples informations, visitez le site de support d'Axis à l'adresse [www.axis.com/techsup](http://www.axis.com/techsup).

## Autres méthodes de définition de l'adresse IP

Le tableau ci-dessous indique les autres méthodes permettant de définir ou de déterminer l'adresse IP. Toutes les méthodes sont activées par défaut et désactivables.

|                          | Système d'exploitation                | Remarques   |
|--------------------------|---------------------------------------|---|
| UPnP™                    | Windows (ME ou XP)                    | Lorsque la caméra est activée sur votre ordinateur, elle est détectée et ajoutée automatiquement au dossier Favoris réseau.   |
| Bonjour                  | MAC OS X (10.4 ou version ultérieure) | Applicable aux navigateurs prenant en charge Bonjour. Accédez au raccourci de Bonjour dans votre navigateur (par exemple, Safari), puis cliquez sur le lien pour accéder aux pages Web de la caméra.  |
| AXIS Dynamic DNS Service | Tous                                  | Service Axis gratuit vous permettant d'installer rapidement votre caméra en toute simplicité. Nécessite une connexion Internet sans proxy HTTP Pour plus d'informations, visitez le site <a href="http://www.axiscam.net">www.axiscam.net</a> . |
| ARP/Ping                 | Tous                                  | Reportez-vous aux instructions ci-dessous. La commande doit être saisie dans les 2 minutes suivant la connexion de l'alimentation à la caméra.  |
| Serverur DHCP            | Tous                                  | Pour consulter les pages administratives du serveur DHCP réseau, reportez-vous à la documentation du serveur.   |

FRANCAIS

### Définition de l'adresse IP à l'aide d'ARP/Ping

1. Trouvez une adresse IP sur le même segment de réseau que celui de votre ordinateur.
2. Repérez le numéro de série (S/N) sur l'étiquette de la caméra AXIS 216FD/216FD-V.
3. Ouvrez une invite de commande sur votre ordinateur et entrez les commandes suivantes :

| Syntaxe pour Windows  | Exemple pour Windows   |
|---|--|
| <pre>arp -s &lt;adresse IP&gt; &lt;numéro de série&gt; ping -l 408 -t &lt;adresse IP&gt;</pre>    | <pre>arp -s 192.168.0.125 00-40-8c-18-10-00 ping -l 408 -t 192.168.0.125</pre>   |
| Syntaxe pour UNIX/Linux/Mac   | Exemple pour UNIX/Linux/Mac  |
| <pre>arp -s &lt;adresse IP &gt; &lt;numéro de série&gt; temp ping -s 408 &lt;adresse IP&gt;</pre> | <pre>arp -s 192.168.0.125 00:40:8c:18:10:00 temp ping -s 408 192.168.0.125</pre> |

4. Vérifiez que le câble réseau est connecté à la caméra, puis démarrez/redémarrez cette dernière en débranchant, puis en rebranchant l'alimentation.
5. Fermez la commande d'invite quand vous voyez « Reply from 192.168.0.125: ... » (Réponse de 192.168.0.125 : ...) ou un message similaire.
6. Dans votre navigateur, tapez <http://<adresse IP>> dans le champ Emplacement/Adresse, puis appuyez sur Entrée sur le clavier.

### Remarques

- Pour ouvrir une invite de commande sous Windows : dans le menu Démarrer, sélectionnez Exécuter... et tapez cmd (ou commande sous Windows 98/ME). Cliquez sur OK.
- Pour utiliser la commande ARP sur Mac OS X, utilisez l'utilitaire Terminal dans Application > Utilitaires.

## Connecteurs de l'unité

**Connecteur de réseau** - Connecteur Ethernet RJ-45. Supporte l'Alimentation Électrique par Câble Ethernet (PoE). Il est recommandé d'utiliser des câbles blindés.

**Connecteur d'alimentation** - Miniconnecteur CC. 5,1 V CC, jusqu'à 3.8W. Reportez-vous à l'étiquette du produit pour connaître la connexion  $\pm$ .

**Entrée audio** - 3.5 mm entrée pour microphone mono, ou ligne entrée en signal mono (le canal à gauche est utilisé pour le signal stéréo).

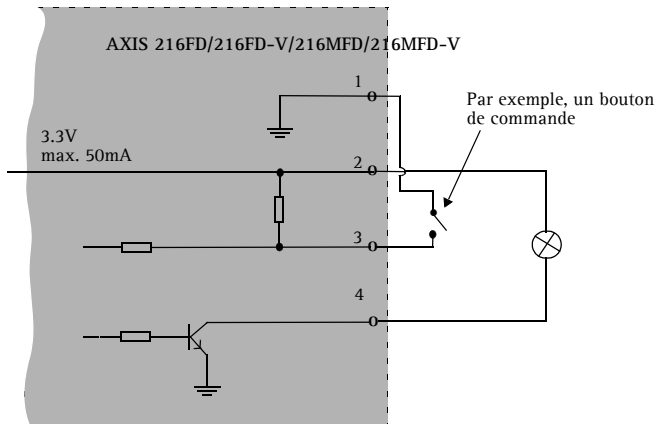
**Sortie audio** - sortie audio qui peut être connecté à un système d'adresse publique (PA) ou haut parleur actif avec amplificateur intégré. Une paire d'écouteur peut être aussi connecté. Un connecteur stéréo doit être utilisé pour la sortie audio.

**Connecteur pour terminaux E/S** - Utilisé dans les applications, par exemple pour la détection de mouvement, le déclenchement d'événements, l'enregistrement à intervalles, les notifications d'alarme, etc. Il sert d'interface aux éléments suivants:

- 1 sortie transistor: permet de connecter des dispositifs externes, comme des relais ou DELs. Les dispositifs connectés peuvent être activés à l'aide d'AXIS VAPIX API, des boutons de sortie sur la page Live View (Vidéo en direct) ou à l'aide d'un type d'événement. La sortie est considérée comme étant active (Event Configuration (Configuration d'événement) > Port Status (État du port)) si le dispositif d'alarme est activé.
- 1 entrée numérique: entrée d'alarme utilisée pour connecter des dispositifs pouvant passer d'un circuit ouvert à un circuit fermé, par exemple : les détecteurs infrarouge passifs, les contacts de porte/fenêtre, les détecteurs de bris de verre, etc. Lorsqu'un signal est reçu, l'état change et l'entrée devient active (elle apparaît sous Event Configuration (Configuration d'événement) > Port Status (État du port)).
- Alimentation auxiliaire et mise à la terre.

| Fonction                        | Numéro de broche | Remarques  | Spécifications   |
|---------------------------------|------------------|--|--|
| GND                             | 1                | Terre.   |  |
| Alimentation auxiliaire 3.3V CC | 2                | Cette broche peut également servir à alimenter le matériel auxiliaire.<br><br><b>Remarques:</b> Cette broche ne peut être utilisée que pour l'alimentation d'un périphérique par la caméra.  | Intensité maximale: 50 mA.                                     |
| Entrée numérique                | 3                | Connectez-la au GND pour l'activer ou laissez-la flotter (ou déconnectée) pour la désactiver.  | Ne doit pas être exposée à une tension supérieure à 10 V CC    |
| Sortie transistor               | 4                | Utilise un transistor NPN à collecteur ouvert avec émetteur connecté au contact à la masse. En cas d'utilisation avec un relais externe, une diode doit être connectée en parallèle avec la charge, comme protection contre les tensions transitoires. | Charge maximale = 50mA<br>Tension maximale = 24VCC (en entrée) |

## Diagramme de connexion



## Témoins DEL

| DEL          | Couleur | Indication  |
|--------------|---------|---|
| Réseau       | Vert    | Continu en cas de connexion à un réseau 100 Mbits/s. Clignote en cas d'activité réseau.   |
|              | Orange  | Continu en cas de connexion à un réseau 10 Mbits/s. Clignote en cas d'activité réseau.  |
|              | Éteint  | Pas de connexion à réseau.  |
| État         | Vert    | Vert continu en cas de fonctionnement normal.<br>Remarque : Le voyant d'état peut être configuré pour être éteint au cours du fonctionnement normal, ou pour clignoter uniquement lors des accès à la caméra. Pour ce faire, cliquez sur <b>Setup &gt; System Options &gt; LED settings</b> (Configuration > Options système > Paramètres DEL). Reportez-vous à l'aide en ligne pour plus d'informations. |
|              | Orange  | En continu pendant le démarrage, la réinitialisation des valeurs d'usine ou la restauration des paramètres.   |
|              | Rouge   | Clignote lentement en cas d'échec de la mise à niveau.  |
| Alimentation | Vert    | Fonctionnement normal.  |
|              | Orange  | Clignote en vert/orange pendant la mise à niveau du microprogramme.   |

## Rétablissement des paramètres d'usine par défaut

Procédez comme suit pour revenir aux paramètres par défaut définis en usine et réinitialiser l'adresse IP :

1. Débranchez l'alimentation de la caméra.
2. Maintenez le bouton de commande enfoncé et rebranchez l'alimentation.
3. Appuyez sur le bouton de commande jusqu'à ce que l'indicateur d'état passe à l'orange (cela peut prendre jusqu'à 15 secondes).
4. Dès que l'indicateur d'état émet une lumière verte (ce qui peut prendre 1 minute), les paramètres par défaut de la caméra ont été rétablis.
5. Réinstallez la caméra à l'aide de l'une des méthodes décrites dans ce document.

Il est également possible de rétablir les paramètres usine par défaut d'origine via l'interface Web. Pour plus d'informations, reportez-vous à l'aide en ligne ou au Manuel de l'utilisateur.

## Plus d'informations

Le Manuel de l'utilisateur est disponible sur le site Web d'Axis, [www.axis.com](http://www.axis.com), ou sur le CD du produit vidéo réseau Axis fourni avec la caméra.

### Conseil:

Visitez le site [www.axis.com/techsup](http://www.axis.com/techsup) pour vérifier si des micro-codes mis à jour sont disponibles pour votre caméra AXIS 216FD/216FD-V/216MFD/216MFD-V. Pour connaître la version du micrologiciel actuellement installée, reportez-vous à la page Web Basic Configuration (Configuration de base) dans les outils de

# AXIS 216FD/216FD-V AXIS 216MFD/216MFD-V Installationsanleitung

In dieser Anleitung wird die Installation der AXIS 216FD, AXIS 216FD-V, AXIS 216MFD und AXIS 216MFD-V Fixed Dome Network Camera in einem Netzwerk beschrieben. Alle weiteren Hinweise zur Verwendung des Produkts finden Sie im Benutzerhandbuch, das auf der mitgelieferten CD oder auf unserer Website unter [www.axis.com/techsup](http://www.axis.com/techsup) zur Verfügung steht.

## Installationsschritte

1. Prüfen Sie, ob alle in der nachfolgenden Liste aufgeführten Komponenten vorhanden sind.
2. Hardwareübersicht. Siehe Seite 32.
3. Installieren Sie die Hardware. Siehe Seite 33.
4. Legen Sie eine IP-Adresse fest. Siehe Seite 35.
5. Legen Sie das Kennwort fest. Siehe Seite 38.
6. Stellen Sie die Bildschärfe ein. Siehe Seite 39.
7. Führen Sie die Installation durch. Siehe Seite 39.

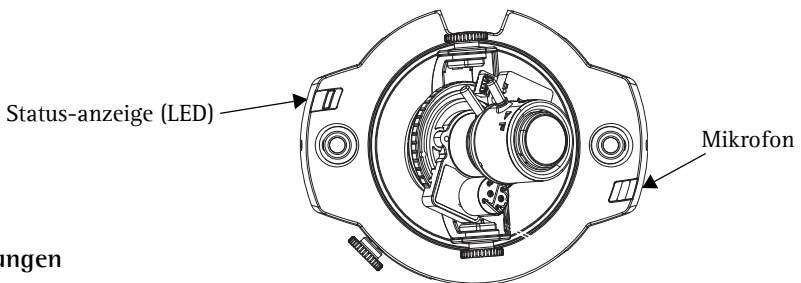
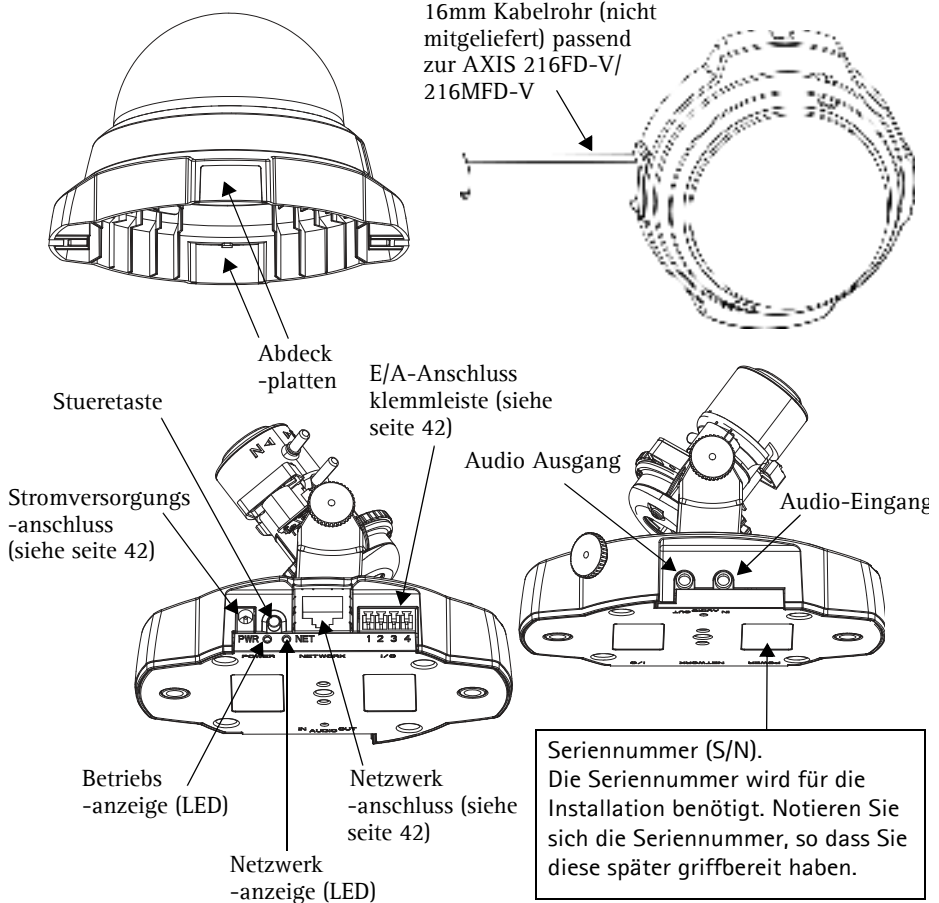
**Wichtiger Hinweis!**  
Verwenden Sie dieses Produkt unter Beachtung der geltenden rechtlichen Bestimmungen.

DEUTSCH

## Lieferumfang

| Komponente  | Modell/Variante/Anmerkung   |
|---|---|
| Netzwerkamera   | AXIS 216FD: Manipulationsgeschütztes Gehäuse<br>AXIS 216FD-V/216MFD-V: Vandalismusgeschütztes Gehäuse<br>AXIS 216MFD: Manipulationsgeschütztes Gehäuse<br>AXIS 216MFD-V: Vandalismusgeschütztes Gehäuse |
| PS-H Netzteil für geschlossene Räume (landesspezifisch) | Europa<br>Großbritannien<br>Australien<br>USA/Japan<br>Argentinien<br>Korea   |
| Verlängerungskabel                                      | Netzkabel 1,8m  |
| Klemmenblock-Anschluss                                  | 4-polige E/A-Anschlussleiste<br>Schraubendreher für manipulationssichere Schrauben  |
| Montagesatz   | Manipulationssichere Schrauben<br>Bohrschablone   |
| CD  | CD für Axis-Netzwerkvideoprodukte einschließlich Installationswerkzeugen und anderer Software sowie Produktdokumentation  |
| Gedruckte Dokumente                                     | AXIS 216FD/216FD-V/216MFD/216MFD-V Installationsanleitung (dieses Dokument)<br>Axis-Garantieerklärung   |

## Hardwareübersicht



### Abmessungen

H × B × T = 94 × 144 × 132mm

Gewicht AXIS 216FD/216MFD = 425g (ohne Netzteil)

Gewicht AXIS 216FD-V/216MFD-V = 580g (ohne Netzteil)



## Hardware installieren

- WICHTIG! - Das Gehäuse der AXIS 216FD/216FD-V/216MFD/216MFD-V ist nicht für den Gebrauch im Aussenbereich geeignet- die Kamera sollte nur in Innenbereichen installiert werden.

### Kamera befestigen

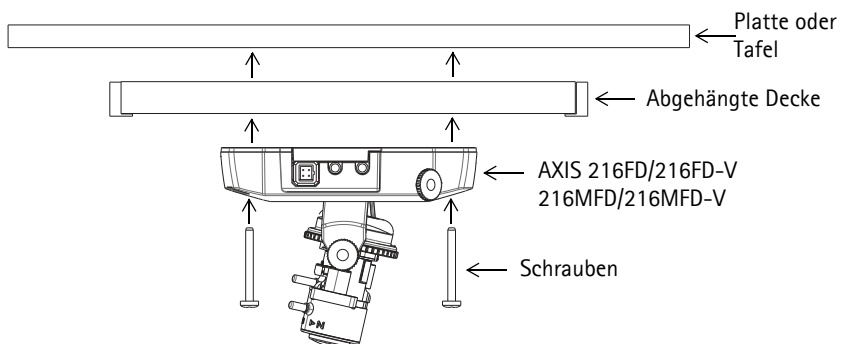
Für die Montage der AXIS 216FD/216FD-V/216MFD/216MFD-V können das Netzwerk- und das Stromversorgungskabel durch die Wand oder von oben bzw. unten verlegt werden. Für die Öffnungen auf beiden Seiten der Kuppelhaube sind Abdeckplatten vorhanden. Das Kabel der AXIS 216FD-V/216MFD-V kann mit einem Metallrohr geschützt werden, wenn die Kamera über die seitlichen Öffnungen angeschlossen wird. Siehe die Abbildungen auf Seite 32.

1. Bohren Sie mit Hilfe der Bohrschablone zwei Löcher in die Decke bzw. Wand.
2. Verbinden Sie alle benötigten Kabel. Siehe Abschnitt *Kabel anschließen*.
3. Schrauben Sie die Kameraeinheit an der Decke bzw. Wand fest. Verwenden Sie dazu die Schrauben und Dübel, die für das Material der Decke bzw. der Wand geeignet sind.
4. Die Kamera muss so platziert sein, dass die manipulationssicheren Schrauben mit dem mitgelieferten Schraubendreher festgezogen werden können.

### Deckenbefestigung

Wenn die AXIS 216FD/216FD-V/216MFD/216MFD-V an einer abgehängten Decke befestigt werden soll, müssen Sie überprüfen, ob das Deckenmaterial stabil genug ist, um das Gewicht der Kamera zu tragen.

Die Kamera kann durch eine Platte oder Tafel gesichert werden, die das Gewicht der Kamera trägt und zum Befestigen der Schrauben besser geeignet ist.



Die AXIS 216FD kann zusammen mit der AXIS 216FD Deckenhalterung angebracht werden, das erlaubt eine diskrete Montage der Kamera. Mehr Information zum Befestigungszubehör finden Sie unter [www.axis.com](http://www.axis.com)

## Kabel anschließen



1. Verbinden Sie die Kamera über ein geschirmtes Netzkabel mit dem Netzwerk.
2. Sie können zusätzlich externe Geräte, wie z. B. Alarmanlagen, anschließen. Informationen zur Anschlussbelegung finden Sie auf Seite 42.
3. Sie können für eine bidirektionale Audioverbindung zusätzlich einen Aktivlautsprecher anschließen.
4. Schließen Sie die Kamera auf eine der folgenden Arten an die Stromversorgung an:
  - PoE-Anschluss (Power over Ethernet). Wenn PoE vorhanden ist wird der Anschluss automatisch, bei Anschluss des Netzkabels (siehe oben), erkannt.
  - Schließen Sie das mitgelieferte Netzteil an den Netzanschluss der Kamera an.
5. Überprüfen Sie, ob die LED-Anzeigen die Betriebszustände korrekt angeben. Weitere Informationen finden Sie in der Tabelle auf Seite 43. Beachten Sie, dass LEDs deaktiviert sein können und deshalb nicht leuchten.

## IP-Adresse zuweisen

In den meisten Netzwerken ist heutzutage ein DHCP-Server eingebunden, der angeschlossenen Geräten automatisch IP-Adressen zuweist. Wenn Ihr Netzwerk über keinen DHCP-Server verfügt, wird für die AXIS 216FD/216FD-V/216MFD/216MFD-V die Standard-IP-Adresse 192.168.0.90 verwendet.

Zum Zuweisen einer statischen IP-Adresse stehen unter Windows die Programme **AXIS IP Utility** und **AXIS Camera Management** zur Verfügung. Verwenden Sie die Methode, die für die gewünschte Anzahl der zu installierenden Kameras geeignet ist.

Beide Anwendungen stehen kostenlos auf der mitgelieferten CD für Axis-Netzwerkvideoprodukte zur Verfügung oder können unter [www.axis.com/techsup](http://www.axis.com/techsup) heruntergeladen werden.

| Methode  | Empfohlen für  | Betriebssystem  |
|--|--|---|
|  AXIS IP Utility<br>Siehe Seite 36        | Einzelne Kamera<br>Kleine Installationen   | Windows   |
|  AXIS Camera Management<br>Siehe Seite 37 | Mehrere Kameras<br>Große Installationen<br>Installation in einem anderen Subnetz | Windows 2000<br>Windows XP Pro<br>Windows 2003 Server |

### Hinweise:

- Falls Sie die IP-Adresse nicht zuweisen können, müssen ggf. die Einstellungen der Firewall überprüft werden.
- Weitere Informationen zu alternativen Methoden zum Festlegen der IP-Adresse der AXIS 216FD/216FD-V/216MFD/216MFD-V (z. B. in anderen Betriebssystemen) finden Sie auf Seite 41.

## AXIS IP Utility - Einzelne Kamera/kleine Installation

AXIS IP Utility erkennt automatisch im Netzwerk vorhandene Axis-Geräte und zeigt diese an. Die Anwendung kann außerdem zur manuellen Zuweisung einer statischen IP-Adresse verwendet werden.




Beachten Sie, dass sich die AXIS 216FD/216FD-V/216MFD/216MFD-V und der Computer, auf dem AXIS IP Utility ausgeführt wird, im gleichen Netzwerksegment (d. h. physischen Subnetz) befinden müssen.

### Automatische Erkennung

1. Stellen Sie sicher, dass die AXIS 216FD/216FD-V/216MFD/216MFD-V an das Netzwerk und die Stromversorgung angeschlossen ist.
2. Starten Sie AXIS IP Utility.
3. Doppelklicken Sie auf das Symbol der Kamera, um die entsprechende Startseite zu öffnen.
4. Anweisungen zum Festlegen des Kennworts finden Sie auf Seite 38.

### Manuelle Zuweisung der IP-Adresse (optional)

1. Wählen Sie eine nicht zugewiesene IP-Adresse im selben Netzwerksegment, in dem sich Ihr Computer befindet.
2. Wählen Sie die AXIS 216FD/AXIS 216MFD aus der Liste.
3. Klicken Sie auf die Schaltfläche  **Zuweisung einer neuen IP-Adresse an das ausgewählte Gerät** und geben Sie die IP-Adresse an.
4. Klicken Sie auf die Schaltfläche **Zuweisen**, und folgen Sie den Anweisungen.
5. Klicken Sie auf die Schaltfläche **Home Page** (Startseite), um auf die Webseiten der Kamera zuzugreifen.
6. Anweisungen zum Festlegen des Kennworts finden Sie auf Seite 38.

### Hinweis:

Die AXIS 216FD und AXIS 216FD-V werden in der AXIS IP Utility als 216FD angezeigt. AXIS 216MFD und AXIS 216MFD-V werden in der AXIS IP Utility als 216MFD angezeigt.

## AXIS Camera Management – Mehrere Kameras/große Installation

Mit AXIS Camera Management können automatisch mehrere Axis-Geräte erkannt, der Verbindungsstatus angezeigt, die Firmware-Aktualisierungen verwaltet und IP-Adressen festgelegt werden.




### Automatische Erkennung

1. Stellen Sie sicher, dass die Kamera an das Netzwerk und die Stromversorgung angeschlossen ist.
2. Starten Sie AXIS Camera Management. Doppelklicken Sie auf das Symbol der AXIS 216FD/216FD-V/216MFD/216MFD-V, um die Startseite der Kamera zu öffnen.
3. Anweisungen zum Festlegen des Kennworts finden Sie auf Seite 38.

### Eine IP-Adresse einem einzelnen Gerät zuweisen

1. Wählen Sie die AXIS 216FD/AXIS 216MFD im AXIS Camera

Management, und klicken Sie auf die Schaltfläche  Assign IP (IP-Adresse zuweisen)


2. Wählen Sie die Option Assign the following IP address (Folgende IP-Adresse zuweisen) und geben Sie die IP-Adresse, die Subnetzmaske und den Standardrouter für das Gerät ein.
3. Klicken Sie auf OK.



DEUTSCH

### IP-Adressen mehreren Geräten zuweisen

AXIS Camera Management beschleunigt die Zuweisung von IP-Adressen an mehrere Geräte, indem IP-Adressen aus einem angegebenen Bereich vorgeschlagen werden.

1. Wählen Sie die zu konfigurierenden Geräte aus (es können auch unterschiedliche Modelle gewählt werden), und klicken Sie auf die Schaltfläche Assign IP (IP-Adresse zuweisen). 
2. Wählen Sie die Option Assign the following IP address range (Folgenden IP-Adressbereich zuweisen) und geben Sie den IP-Adressbereich, die Subnetzmaske und den Standardrouter für das Geräte ein.
3. Klicken Sie auf OK.

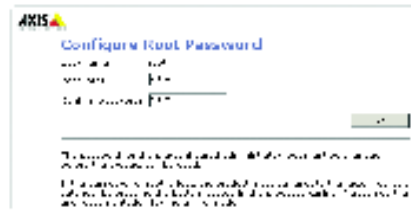


#### Hinweis:

Die AXIS 216FD und AXIS 216FD-V werden in der AXIS Camera Management Software als 216FD angezeigt. AXIS 216MFD und AXIS 216MFD-V werden in der AXIS Camera Management Software als 216MFD angezeigt.

## Kennwort festlegen

Beim erstmaligen Zugriff auf die AXIS 216FD/216FD-V/216MFD/216MFD-V wird das Dialogfeld „Configure Root Password (Root-Kennwort konfigurieren)“ angezeigt.



1. Geben Sie ein Kennwort ein, und wiederholen Sie die Eingabe, um die korrekte Schreibweise zu bestätigen. Klicken Sie auf OK.
2. Geben Sie in das Dialogfeld „Enter network password“ als Kennwort „root“ ein. Hinweis: Der standardmäßige Administrator-Benutzername „root“ kann nicht gelöscht werden.
3. Geben Sie das in Schritt 1 festgelegte Kennwort ein, und klicken Sie auf OK. Wenn Sie das Kennwort vergessen haben, muss die AXIS 216FD/216FD-V/216MFD/216MFD-V auf die Werkseinstellungen zurückgesetzt werden. (Siehe Seite 40)
4. Klicken Sie auf Ja, um AMC (AXIS Media Control) zu installieren. Nach Abschluss der Installation können Sie Video-Streams in Microsoft Internet Explorer anzeigen. Hierzu müssen Sie über Administratorrechte für den Computer verfügen.

Die Seite „Live-View (Live-Ansicht)“ der AXIS 216FD/216FD-V/216MFD/216MFD-V wird angezeigt. Sie enthält Links zu Setup-Tools, mit denen Sie die Kamera Ihren Bedürfnissen entsprechend anpassen können. Notieren Sie Bitte, AXIS 216FD und AXIS 216FD-V werden im Browser als 216FD angezeigt. AXIS 216MFD und AXIS 216MFD-V werden im Browser als 216MFD angezeigt.

Setup: Alle zur benutzerspezifischen Konfiguration der Kamera notwendigen Werkzeuge.

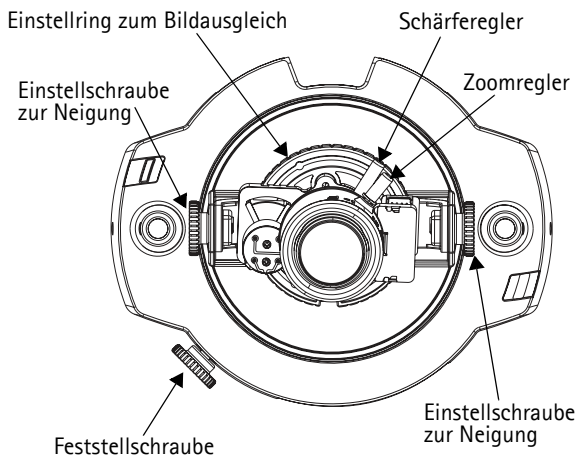


Hilfe: Zum Aufrufen der Online-Hilfe für die Kamera.

## Bildschärfe einstellen

Öffnen Sie die Seite Direktübertragung, und nehmen Sie folgende Einstellungen an der Kamera vor:

1. Lösen Sie die Festschraube und die Einstellschrauben zur Neigung.
2. Drehen Sie das Objektiv in die gewünschte Position.
3. Wenn die richtige Ausrichtung erreicht ist, schrauben Sie die Festschraube und die Einstellschrauben zur Neigung wieder fest, um die Kameraposition zu sichern.
4. Stellen Sie mit dem Ring zum Bildausgleich die horizontale Ausrichtung ein.
5. Öffnen Sie über die Weboberfläche unter **Standardkonfiguration > Fokus** die Seite „Bildschärfe einstellen“, und folgen Sie den Bildschirmanweisungen. Stellen Sie mit dem Bildfenster die Bildschärfe und den Zoom ein.
6. Lösen Sie für die Einstellung der Bildschärfe und des Zooms die Regler für Zoom und Fokus entgegen dem Uhrzeigersinn, und drehen Sie die Ringe.



### Hinweis:

Durch die Lichtbrechung der Kuppel, könnte das Bild etwas unscharf erscheinen, sobald die Kuppel verschraubt worden ist. Zum Ausgleich fokussieren Sie die Kamera auf einen Gegenstand der etwas näher als der beabsichtigte Bereich steht.

7. Arretieren Sie Zoomregler und Schärferegler in der gewählten Position. Ziehen Sie dazu die Schrauben im Uhrzeigersinn fest.

Sie können auch eine Feinabstimmung des Bildes für schlechte Lichtverhältnisse vornehmen. Klicken Sie dazu auf **Setup > Video und Bild > Erweitert**, und lesen Sie die Informationen in der Online-Hilfe.

## Installation abschließen

1. Bringen Sie das schwarze Schutzschild in der Kuppelhaube durch Drehen in Übereinstimmung mit der Kameraposition.
2. Entfernen Sie Fingerabdrücke und Staub von der Glasoberfläche mit einem trockenem, weichen Tuch. Blasen Sie Staub ggf. mit Druckluft von der Linse.
3. Befestigen Sie die Kuppelhaube mit Hilfe der im Lieferumfang enthaltenen manipulationssicheren Schrauben und dem Schraubendreher.
4. Num da die Kamera motiert ist, vergewissern Sie sich, das die Kamera richtig fokussiert ist.
5. Die Installation ist damit abgeschlossen.

## Über das Internet auf die Kamera zugreifen

Sobald die AXIS 216FD/216FD-V/216MFD/216MFD-V installiert ist, können Sie über Ihr lokales Netzwerk (LAN) auf die Kamera zugreifen. Um auch über das Internet auf die Kamera zugreifen zu können, müssen Sie die Netzwerk-Router so konfigurieren, dass diese den entsprechenden eingehenden Datenverkehr zulassen, was üblicherweise durch Zuweisung eines bestimmten Ports geschieht. Ausführliche Informationen zu diesem Thema finden Sie in der Dokumentation des Routers.

Weitere Informationen zu diesem und zu anderen Themen erhalten Sie auf der Axis Support-Website unter [www.axis.com/techsup](http://www.axis.com/techsup).



## Andere Methoden zum Festlegen der IP-Adresse

Diese Tabelle bietet einen Überblick über weitere Methoden, die IP-Adresse festzulegen bzw. zu ermitteln. Alle Methoden sind standardmäßig aktiviert und können deaktiviert werden.

|  | Verwendung im Betriebssystem | Hinweise   |
|--|------------------------------|--|
| UPnP™                                  | Windows (ME oder XP)         | Wenn die Funktion auf dem Computer aktiviert ist, wird die Kamera automatisch erkannt und zur „Netzwerkumgebung“ hinzugefügt.  |
| Bonjour                                | MAC OSX (ab Vers. 10.4)      | Kann nur bei Browsern verwendet werden, die Bonjour unterstützen. Navigieren Sie zum Bonjour-Lesezeichen Ihres Browsers (z. B. Safari), und klicken Sie auf den Link, um auf die Webseiten der Kamera zu gelangen.   |
| AXIS Dynamic DNS Service               | Alle                         | Ein kostenloser Service von Axis, mit dem Sie Ihre Kamera schnell und einfach installieren können. Eine Internetverbindung ohne HTTP-Proxyserver ist Voraussetzung. Weitere Informationen hierzu finden Sie auf <a href="http://www.axiscam.net">www.axiscam.net</a> |
| ARP/Ping                               | Alle                         | Siehe unten. Der Befehl muss innerhalb von 2 Minuten erfolgen, nachdem die Kamera an das Stromnetz angeschlossen wurde.  |
| Admin-Seiten des DHCP-Servers anzeigen | Alle                         | Hinweise zum Anzeigen der Administrationsseiten des DHCP-Servers im Netzwerk finden Sie in der Serverdokumentation.  |

### IP-Adresse per ARP/Ping zuweisen

1. Wählen Sie eine IP-Adresse aus dem Netzwerksegment, in dem sich auch Ihr Computer befindet.
2. Sehen Sie nach der Seriennummer (S/N) auf dem Produktaufkleber der AXIS 216FD/216FD-V/216MFD/216MFD-V.
3. Öffnen Sie auf Ihrem Computer die Eingabeaufforderung, und geben Sie die folgenden Befehle ein:

| Syntax unter Windows:   | Beispiel für Windows   |
|---|--|
| <pre>arp -s &lt;IP-Adresse&gt; &lt;Seriennummer&gt; ping -l 408 -t &lt;IP-Adresse&gt;</pre>   | <pre>arp -s 192.168.0.125 00-40-8c-18-10-00 ping -l 408 -t 192.168.0.125</pre>   |
| Syntax unter UNIX/Linux/Mac   | Beispiel für UNIX/Linux/Mac  |
| <pre>arp -s &lt;IP-Adresse&gt; &lt;Seriennummer&gt; temp ping -s 408 &lt;IP-Adresse&gt;</pre> | <pre>arp -s 192.168.0.125 00:40:8c:18:10:00 temp ping -s 408 192.168.0.125</pre> |

4. Stellen Sie sicher, dass das Netzkabel mit der Kamera verbunden ist, und starten Sie die Kamera bzw. starten Sie diese neu, indem Sie die Stromversorgung unterbrechen und wiederherstellen.
5. Schließen Sie die Befehlszeile, sobald „Reply from 192.168.0.125: ...“ oder eine ähnliche Meldung erscheint.
6. Starten Sie einen Browser, geben Sie im Adressfeld „http://<IP-Adresse>“ ein, und drücken Sie die Eingabetaste auf der Tastatur.

### Hinweise:

- So öffnen Sie unter Windows die Eingabeaufforderung: Wählen Sie im Startmenü die Option „Ausführen ...“, und geben Sie „cmd“ ein. Klicken Sie auf OK.
- Verwenden Sie zum Eingeben des Befehls „ARP“ unter Mac OS X das Dienstprogramm „Terminal“, das Sie unter „Anwendung > Dienstprogramme“ finden.

## Kameraanschlüsse

**Netzwerkanschluss** - RJ-45-Ethernetanschluss. Unterstützt PoE-Anschluss. Die Verwendung von geschirmten Kabeln wird empfohlen.

**Stromanschluss** - Mini-Gleichstromanschluss; 5.1 V Gleichstrom, max. 3.8W; Siehe Produktaufkleber bezüglich  $\pm$ -Anschluss.

**Audioeingang** - 3.5mm Anschluss für ein Monomikrofon oder ein Monosignal (linker Kanal wird von einem Stereosignal benutzt).

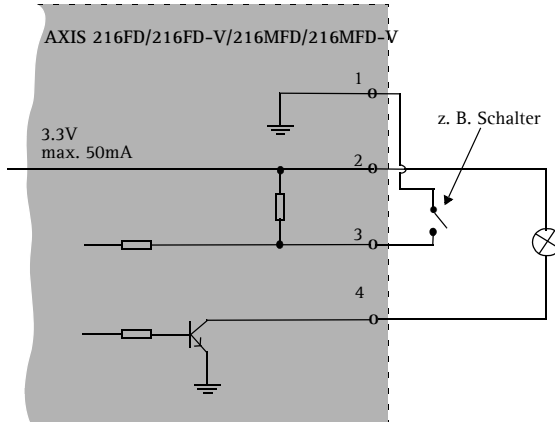
**Audioausgang** - Der Audioausgang unterstützt die line level Ausgabe und kann an einer PA-Anlage oder einen aktiven Lautsprecher mit einem eingebauten Verstärker angeschlossen werden. Ein Kopfhörer kann auch angeschlossen werden. Ein Stereostecker muß für den Audioausgang benutzt werden.

**E/A-Anschluss** - Wird verwendet z. B. für Bewegungserkennung, Ereignis-triggerung, Zeitrafferaufnahmen, Alarm-Benachrichtigungen usw. und bildet die Schnittstelle für:

- 1 Transistorausgang: Für den Anschluss externer Relais und LEDs. Angeschlossene Geräte können über die AXIS VAPIX API, über die Schaltflächen für den Ausgang auf der Seite Direktübertragung oder durch einen Ereignistyp aktiviert werden. Der Ausgang wird als **aktiviert (Ereigniskonfiguration > Port-Status)** angezeigt, wenn das Alarm meldende Gerät eingeschaltet ist.
- 1 digitaler Eingang: Alarmein-gang für den Anschluss von Geräten, die zwischen geöffnetem und geschlossenem Schaltkreis wechseln können, z. B.: PIR-Kameras, Tür/Fensterkontakte, Glasbruchmelder usw. Bei Empfang eines Signals ändert sich der **Status**, und der Eingang wird aktiviert (angezeigt unter **Ereigniskonfiguration > Port-Status**).
- Zusatzstromversorgung und Masse

| Funktion          | Pinnummer | Hinweise   | Technische Daten  |
|-------------------|-----------|--|---|
| Masse             | 1         |  |   |
| 3,3 V Gleichstrom | 2         | Dieser Kontakt kann auch für die Stromversorgung von Zusatzgeräten mit einer maximalen Stromstärke von 50 mA verwendet werden.<br><br>Heinweis: Dieser Kontakt kann nur zur externen Stromversorgung verwendet werden.                     | Stromstärke von 50 mA verwendet werden.                             |
| Digitaler Eingang | 3         | Zum Aktivieren mit dem Massekontakt verbinden; zum Deaktivieren nicht anschließen.   | Die angelegte Spannung darf maximal 10 V DC betragen!               |
| Transistorausgang | 4         | Verwendet einen NPN-Transistor mit offenem Kollektor, wobei der Emitter mit dem Massepin verbunden ist. Zum Schutz vor Spannungsspitzen muss bei der Kombination mit einem externen Relais eine Diode parallel zur Last geschaltet werden. | Max. Stromstärke = 50 mA<br>Max. Spannung = 24 V DC (am Transistor) |

## Anschlussschaltbild



## LED-Anzeigen

| LED      | Farbe          | Bedeutung  |
|----------|----------------|--|
| Netzwerk | Grün           | Leuchtet konstant bei einer Netzwerkverbindung mit 100 Mbit/s. Blinkt bei Netzwerkaktivität.   |
|          | Gelb           | Leuchtet konstant bei einer Netzwerkverbindung mit 10 Mbit/s. Blinkt bei Netzwerkaktivität.  |
|          | Leuchtet nicht | Keine Netzwerkverbindung vorhanden.  |
| Status   | Grün           | Leuchtet bei Normalbetrieb konstant grün.<br>Hinweis: Die Status-LED kann so konfiguriert werden, dass sie bei normalem Betrieb nicht leuchtet oder nur dann aufblinkt, wenn auf die Kamera zugegriffen wird. Diese Konfiguration können Sie unter <b>Setup &gt; System Options (Systemoptionen) &gt; LED Settings (LED-Einstellungen)</b> vornehmen. Weitere Informationen hierzu finden Sie in der Online-Hilfe. |
|          | Gelb           | Leuchtet dauerhaft beim Start und beim Wiederherstellen der Werkseinstellungen bzw. von vorherigen Einstellungen.  |
|          | Rot            | Blinkt langsam bei Aktualisierungsfehler.  |
| Betrieb  | Grün           | Normalbetrieb  |
|          | Gelb           | Blinkt grün/gelb während Firmware-Aktualisierung.  |

## Werkseitige Standardeinstellungen wiederherstellen

Gehen Sie wie folgt vor, um sämtliche Parameter einschließlich der IP-Adresse auf die werkseitigen Standardeinstellungen zurückzusetzen:

1. Trennen Sie die Kamera von der Stromversorgung.
2. Halten Sie die Steuertaste gedrückt, und schließen Sie den Netzstecker wieder an.
3. Halten Sie die Steuertaste so lange gedrückt, bis die Statusanzeige gelb aufleuchtet (dies kann bis zu 15 Sekunden dauern).
4. Wenn die Statusanzeige grün leuchtet (dies kann bis zu einer Minute dauern), wurde die Kamera auf die werkseitigen Standardeinstellungen zurückgesetzt.
5. Installieren Sie die AXIS 216FD/216FD-V/216MFD/216MFD-V erneut. Wenden Sie dabei eines der in diesem Handbuch beschriebenen Verfahren an.

Die Parameter können auch über die Weboberfläche auf die werkseitigen Einstellungen zurückgesetzt werden. Weitere Informationen dazu finden Sie in der Online-Hilfe und im Benutzerhandbuch.

## Weitere Informationen

Das Benutzerhandbuch ist auf der Axis Website unter <http://www.axis.com> erhältlich und befindet sich auch auf der mitgelieferten CD für Axis-Netzwerkvideoprodukte.

### **Tipp!**

Unter [www.axis.com/techsup](http://www.axis.com/techsup) finden Sie Firmware-Aktualisierungen für Ihre AXIS 216FD/216FD-V/216MFD/216MFD-V. Gehen Sie unter „Setup“ auf die Seite „Grundkonfiguration,“ um die aktuelle Firmware-Version anzuzeigen.

# AXIS 216FD/216FD-V

# AXIS 216MFD/216MFD-V

## Guida all'installazione

Nel presente documento vengono fornite le istruzioni per installare la AXIS 216FD, AXIS 216FD-V, AXIS 216MFD e AXIS 216MFD-V nella propria rete. Per tutti gli altri aspetti sull'utilizzo del prodotto, consultare il manuale dell'utente disponibile sul CD incluso nella confezione oppure visitare il sito Web all'indirizzo [www.axis.com/techsup](http://www.axis.com/techsup).

### Procedura di installazione

1. Controllare il contenuto della confezione utilizzando l'elenco fornito di seguito.
2. Panoramica dell'hardware. Vedere pagina 46.
3. Installare l'hardware. Vedere pagina 47.
4. Impostare un indirizzo IP. Vedere pagina 49.
5. Impostare la password. Vedere pagina 52.
6. Regolare la messa a fuoco. Vedere pagina 53.
7. Completa l'installazione. Vedere pagina 53.

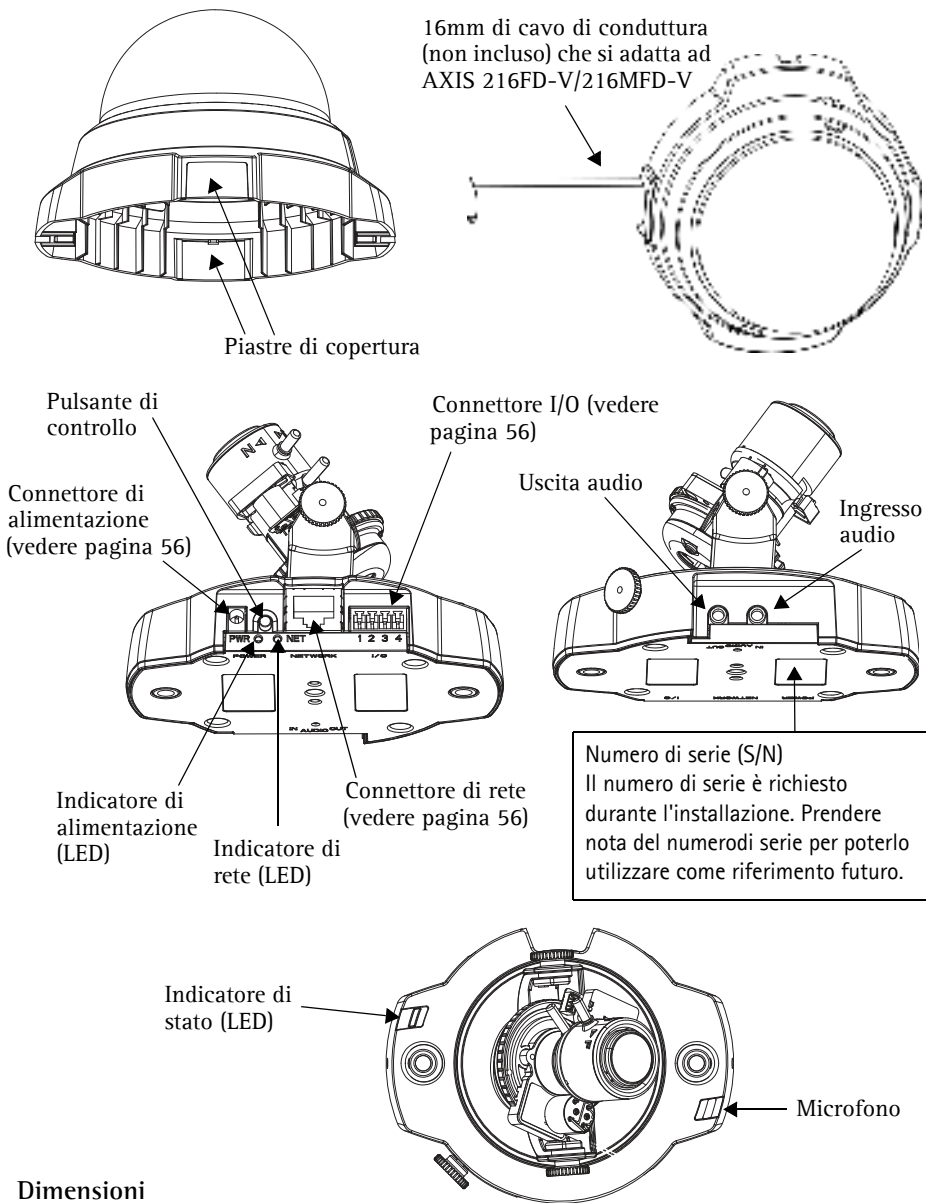
#### Importante

Il prodotto deve essere utilizzato in conformità alle leggi e alle disposizioni locali.

### Contenuto della confezione

| Articolo   | Modello/varianti/note   |
|--|---|
| Videocamera di rete  | AXIS 216FD: custodia resistente alla manomissione<br>AXIS 216FD-V/216MFD-V: custodia resistente agli atti vandalici<br>AXIS 216MFD: custodia resistente alla manomissione<br>AXIS 216MFD-V: custodia resistente agli atti vandalici |
| PS-H Alimentatore per uso interno (specifico per il paese) | Europa<br>Regno Unito<br>Australia<br>USA / Giappone<br>Argentina<br>Corea  |
| Prolunga del cavo di alimentazione                         | Cavo di alimentazione da 1,8 m  |
| Connettore della morsettiera                               | Morsettiera di alimentazione I/O a 4 pin  |
| Kit di montaggio   | Cacciavite per viti antimanomissione  |
|  | Viti antimanomissione   |
|  | Modello per la foratura   |
| CD   | CD del prodotto, inclusi gli strumenti di installazione e altro software nonché la documentazione del prodotto.   |
| Documentazione cartacea                                    | AXIS 216FD/216FD-V/216MFD/216MFD-V Guida all'installazione (questo documento)<br>Certificato di garanzia Axis.  |

## ■ Panoramica dell'hardware



### Dimensioni

A x L x P = 94 x 144 x 132mm

Peso AXIS 216FD/216MFD = 425g (senza alimentatore)

Peso AXIS 216FD-V/216MFD-V= 580g (senza alimentatore)

## 🔌 Installazione dell'hardware

- !** **IMPORTANTE!** - La custodia dell'AXIS 216FD/216FD-V/216MFD/216MFD-V non è adatta per uso esterno – la telecamera può essere installata solo in ambienti interni.

### Montaggio della videocamera

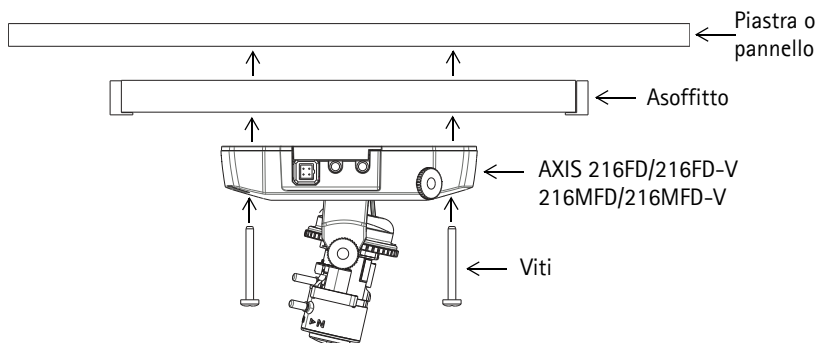
La videocamera AXIS 216FD/216FD-V/216MFD/216MFD-V può essere montata con i cavi di rete e di alimentazione che passano attraverso la parete o il soffitto oppure inseriti dall'alto o dal basso. Su entrambi i lati del coperchio della cupola sono disponibili delle aperture. AXIS 216FD-V/216MFD-V può anche essere adattata ad una conduttura metallica per la protezione del cablaggio, quando si collega tramite l'apertura laterale. Vedere le illustrazioni a pagina 46.

1. Eseguire due fori nel soffitto o nella parete utilizzando la sagoma fornita nella confezione.
2. Connettere tutti i cavi richiesti. Vedere la sezione sottostante *Collegamento dei cavi*.
3. Bloccare la videocamera alla parete o al soffitto mediante viti e tasselli appropriati.
4. Verificare che la videocamera sia posizionata correttamente affinché sia possibile stringere le viti antimanomissione con l'apposito cacciavite incluso nella confezione.

### Montaggio a soffitto

Se si desidera montare la videocamera AXIS 216FD/216FD-V/216MFD/216MFD-V a soffitto (in sospensione), verificare che il materiale del soffitto sia abbastanza solido per sostenere il peso della videocamera.

È possibile fissare saldamente la videocamera mediante una piastra o un pannello in grado di sostenerne il peso e facilitare il fissaggio delle viti.



AXIS 216FD/AXIS 216MFD può anche essere installata usando Axis 216FD/AXIS 216MFD Drop Ceiling Mount, che permette alla telecamera di essere montata più discretamente.

Visitare il sito di [www.axis.com](http://www.axis.com) per verificare gli accessori di montatura disponibili.

## Collegamento dei cavi

1. Collegare la videocamera alla rete mediante un cavo di rete schermato.
2. Connettere altre periferiche esterne (facoltativo) come, ad esempio, sistemi di allarme. Per informazioni sui pin della morsettiera di alimentazione, vedere pagina 56
3. Collegare un altoparlante attivo (facoltativo) per fornire audio a due vie.
4. Collegare l'alimentazione mediante uno dei metodi elencati di seguito:
  - PoE (Power over Ethernet). Se disponibile, questa è automaticamente rilevata quando il cavo di rete è connesso (vedere sopra).
  - Collegare l'alimentatore per uso interno al connettore di alimentazione sulla videocamera.
5. Verificare che i LED indichino le condizioni di funzionamento corrette. Per ulteriori dettagli, vedere la tabella a pagina 57. Notare che alcuni LED possono essere disabilitati o spenti.





## Impostazione di un indirizzo IP

La maggior parte delle reti dispone di un server DHCP che automaticamente assegna gli indirizzi IP ai dispositivi connessi. Se la rete non dispone di un server DHCP, per il dispositivo AXIS 216FD/216FD-V/216MFD/216MFD-V viene utilizzato l'indirizzo IP predefinito 192.168.0.90.

Per assegnare un indirizzo IP statico, si consiglia di utilizzare **AXIS IP Utility** o **AXIS Camera Management** in ambiente Windows. In base al numero di videocamere da installare, utilizzare il metodo che meglio si adatta alle proprie esigenze.

Entrambe le applicazioni sono disponibili gratuitamente sul CD del prodotto oppure possono essere scaricate dal sito Web all'indirizzo [www.axis.com/techsup](http://www.axis.com/techsup).

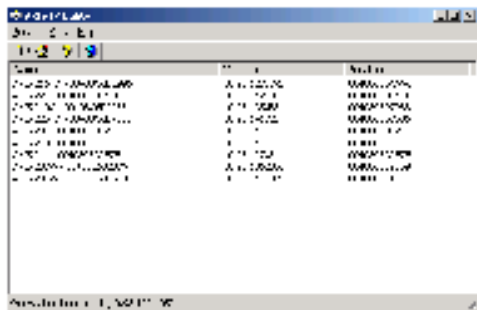
| Metodo  | Consigliato per...   | Sistema operativo                                     |
|---|--|---|
|  <b>AXIS IP Utility</b><br>Vedere pagina 50        | Videocamera singola<br>Piccole installazioni                                   | Windows   |
|  <b>AXIS Camera Management</b><br>Vedere pagina 51 | Più videocamere<br>Grandi installazioni<br>Installazione in una diversa subnet | Windows 2000<br>Windows XP Pro<br>Windows 2003 Server |

### Note

- Se l'assegnazione dell'indirizzo IP non è riuscita correttamente, verificare che non siano presenti firewall a bloccare l'operazione.
- Per altri metodi di assegnazione o di rilevazione dell'indirizzo IP per il dispositivo AXIS 216FD/216FD-V/216MFD/216MFD-V, ad esempio in altri sistemi operativi, vedere pagina 55.

## AXIS IP Utility: videocamera singola/piccole installazioni

AXIS IP Utility consente di individuare e visualizzare automaticamente la presenza di periferiche Axis sulla rete. L'applicazione inoltre può essere utilizzare per assegnare manualmente un indirizzo IP statico.




Si tenga presente che il dispositivo AXIS 216FD/216FD-V/216MFD/216MFD-V deve essere installato sullo stesso segmento di rete (subnet fisica) del computer sul quale è in esecuzione AXIS IP Utility.

### Rilevamento automatico

1. Verificare che il dispositivo AXIS 216FD/216FD-V/216MFD/216MFD-V sia collegato alla rete e alimentato correttamente.
2. Avviare AXIS IP Utility.
3. Quando la videocamera verrà visualizzata, fare doppio clic su di essa per aprirne la home page.
4. Vedere pagina 52 per istruzioni su come assegnare la password.

### Assegnazione manuale dell'indirizzo IP (facoltativo)

1. Acquisire un indirizzo IP non utilizzato sullo stesso segmento di rete del computer.
2. Seleziona AXIS 216FD/AXIS 216MFD dalla lista
3. Clicca sul pulsante **Assegna un nuovo indirizzo IP all'unità selezionata**  e scrivi l'indirizzo IP.
4. Fare clic sul pulsante **Assegna** e seguire le istruzioni visualizzate.
5. Fare clic sul pulsante **Home Page** per accedere alle pagine Web della videocamera.
6. Vedere pagina 52 per istruzioni su come impostare la password.

### Note:

AXIS 216FD e AXIS 216FD-V saranno mostrate in AXIS IP Utility come AXIS 216FD. AXIS 216MFD e AXIS 216MFD-V saranno mostrate in AXIS IP Utility come AXIS 216MFD.

## AXIS Camera Management: più videocamere/grandi installazioni


È possibile utilizzare AXIS Camera Management per individuare automaticamente la presenza di più dispositivi Axis, mostrare lo stato di connessione, gestire gli aggiornamenti del firmware e impostare gli indirizzi IP.



### Rilevamento automatico

1. Verificare che la videocamera sia collegata alla rete e alimentata correttamente.
2. Avviare AXIS Camera Management. Quando verrà visualizzato il dispositivo AXIS 216FD/AXIS 216MFD, fare doppio clic su di esso per aprire la home page.
3. Vedere pagina 52 per istruzioni su come impostare la password.


### Assegnazione di un indirizzo IP in una singola videocamera

1. Selezionare AXIS 216FD/AXIS 216MFD in AXIS Camera Management e fare clic sul pulsante Assign IP (Assegna IP) .
2. Selezionare Assign the following IP address (Assegnare il seguente indirizzo IP) e immettere l'indirizzo IP, la subnet mask e il router predefinito utilizzato dal dispositivo.
3. Fare clic sul pulsante OK.



### Assegnazione degli indirizzi IP in più videocamere

AXIS Camera Management facilita il processo di assegnazione degli indirizzi IP di più videocamere, suggerendo gli indirizzi IP in base a un intervallo specifico.

1. Selezionare le videocamere che si desidera configurare possono essere selezionati differenti modelli e fare clic sul pulsante Assign IP (Assegna IP) .
2. Selezionare Assign the following IP address range (Assegnare il seguente indirizzo IP) e immettere l'intervallo di indirizzi IP, la subnet mask e il router predefinito utilizzato dal dispositivo.
3. Fare clic sul pulsante OK.



### Note:

AXIS 216FD e AXIS 216FD-V saranno mostrate in AXIS Camera Management come AXIS 216FD. AXIS 216MFD e AXIS 216MFD-V saranno mostrate in AXIS Camera Management come AXIS 216MFD.

## Impostazione della password

Quando si accede a AXIS 216FD/216FD-V/216MFD/216MFD-V per la prima volta, viene visualizzata la finestra di dialogo "Configura password di primo livello."



1. Immettere la password, quindi inserirla di nuovo per confermarne l'esattezza. Fare clic su OK.
2. Immettere il nome utente di primo livello nella finestra di dialogo **Immetti password di rete**. Nota: non è possibile eliminare il nome utente predefinito dell'amministratore.
3. Inserire la password impostata in precedenza e fare clic su OK. Se si dimentica la password, sarà necessario ripristinare le impostazioni di fabbrica di AXIS 216FD/216FD-V/216MFD/216MFD-V. Vedere pagina 56.
4. Se necessario, fare clic su **Sì** per installare AMC (Axis Media Control) che consente di visualizzare il flusso video in Microsoft Internet Explorer. A questo scopo è necessario disporre dei privilegi di amministratore.

Viene visualizzata la pagina Live View di AXIS 216FD/216FD-V/216MFD/216MFD-V con i collegamenti agli strumenti di configurazione che consentono di personalizzare la videocamera. Note AXIS 216FD e AXIS 216FD-V saranno mostrate in nel browser come AXIS 216FD. AXIS 216MFD e AXIS 216MFD-V saranno mostrate in nel browser come AXIS 216MFD..

**Configurazione:** fornisce tutti gli strumenti necessari per configurare la videocamera.



**Guida:** visualizza la Guida in linea relativa alla modalità di utilizzo della videocamera.

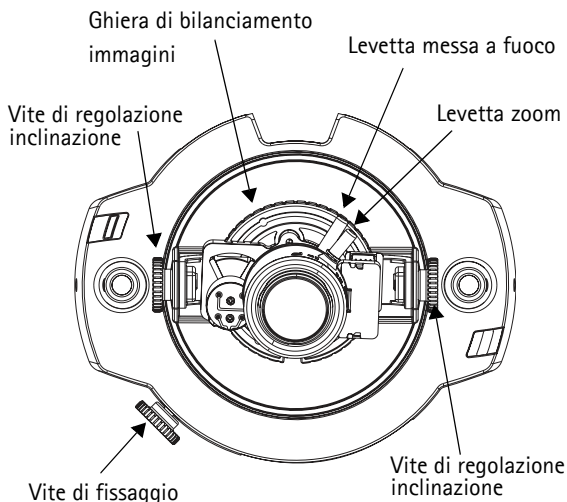
## Regolazione della messa a fuoco

Aprire la pagina **Immagini dal vivo** dell'interfaccia Web ed effettuare le seguenti operazioni nella videocamera:

1. Allentare la vite di fissaggio e le viti di regolazione dell'inclinazione.
2. Posizionare l'obiettivo nella posizione desiderata.
3. Stringere delicatamente la vite di fissaggio e le viti di regolazione dell'inclinazione per bloccare la videocamera nella posizione desiderata.
4. Girare la ghiera di bilanciamento delle immagini per impostare la posizione orizzontale.
5. Aprire la pagina **Regolazione messa a fuoco** nell'interfaccia Web in **Configurazione**

**base** > **Messa a fuoco** e seguire le istruzioni visualizzate. Utilizzare la finestra di regolazione delle immagini per impostare la messa a fuoco e lo zoom.

6. Per impostare la messa a fuoco e lo zoom, allentare le rispettive levette in senso antiorario e ruotare le ghiera.



### Note:

A causa della rifrazione della cupola, l'immagine può apparire leggermente sfocata una volta posizionata la cupola. Per compensare questo difetto, mettere a fuoco un oggetto più vicino rispetto all'area che si desiderava.

7. Bloccare le levette di messa a fuoco e di zoom nella posizione desiderata ruotando le viti in senso orario.

È possibile inoltre ottimizzare l'immagine in caso di condizioni di ridotta luminosità. Selezionare **Configurazione** > **Video e immagine** > **Avanzate** e consultare la Guida in linea per ulteriori informazioni.

## Completamento dell'installazione

1. Ruotare lo schermo di protezione di colore nero all'interno della cupola per posizionare correttamente la videocamera.
2. Pulire la cupola con un panno morbido e asciutto per rimuovere polvere e impronte digitali; utilizzare un soffietto per rimuovere la polvere dall'obiettivo.
3. Montare la cupola utilizzando le viti antimanomissione e il cacciavite inclusi nella confezione.
4. Ora che la cupola è posizionata, controllare nuovamente che la telecamera sia a fuoco.
5. L'installazione è completata.

## Accesso a AXIS 216FD/216FD-V/216MFD/216MFD-V da Internet

Una volta installata, la videocamera AXIS 216FD/216FD-V/216MFD/216MFD-V è accessibile dalla rete LAN. Per accedere alla videocamera da Internet, è necessario configurare i router di rete per consentire il traffico dei dati in entrata, operazione che solitamente viene effettuata su una porta specifica. Per ulteriori istruzioni sul router, fare riferimento alla documentazione.

Per ulteriori informazioni relative a questo e altri argomenti, visitare il sito Web del supporto tecnico di Axis all'indirizzo [www.axis.com/techsup](http://www.axis.com/techsup)

## Altri metodi di impostazione dell'indirizzo IP

Nella tabella sotto riportata sono illustrati altri metodi disponibili per impostare o individuare l'indirizzo IP. Tutti i metodi sono disponibili per impostazione predefinita e possono essere tutti disabilitati.

|   | Sistema operativo                    | Note  |
|---|--------------------------------------|---|
| UPnP™   | Windows (ME o XP)                    | Se abilitato sul computer, la videocamera viene rilevata automaticamente e aggiunta a "Risorse di rete".  |
| Bonjour   | MAC OSX (versione 10.4 o successive) | Si applica a browser con supporto Bonjour. Selezionare il segnalibro Bonjour nel browser (ad esempio Safari) e fare clic sul collegamento per accedere alle pagine Web della videocamera.   |
| AXIS Dynamic DNS Service  | Tutti                                | Un servizio gratuito fornito da Axis che consente di installare la videocamera in modo facile e veloce. È necessaria una connessione a Internet senza proxy http. Per ulteriori informazioni, visitare il sito Web all'indirizzo <a href="http://www.axiscam.net">www.axiscam.net</a> . |
| ARP/Ping  | Tutti                                | Verdere più avanti. È necessario eseguire il comando entro 2 minuti dal collegamento dell'alimentazione alla videocamera.   |
| Visualizzazione delle pagine di amministrazione del server DHCP | Tutti                                | Per visualizzare le pagine di amministrazione del server DHCP di rete, vedere la documentazione specifica del server.   |

### Impostazione dell'indirizzo IP con ARP/Ping

1. Acquisire un indirizzo IP sullo stesso segmento di rete cui è connesso il computer in uso.
2. Individuare il numero di serie indicato sull'etichetta di AXIS 216FD/216FD-V/216MFD/216MFD-V.
3. Aprire una finestra MS-DOS sul computer e digitare i seguenti comandi:

| Sintassi di Windows:  | Esempio di Windows  |
|---|---|
| arp -s <Indirizzo IP> <Numero di serie><br>ping -l 408 -t <Indirizzo IP>      | arp -s 192.168.0.125 00-40-8c-18-10-00<br>ping -l 408 -t 192.168.0.125      |
| Sintassi di UNIX/Linux/Mac:   | Esempio di UNIX/Linux/Mac   |
| arp -s <Indirizzo IP> <Numero di serie><br>temp<br>ping -s 408 <Indirizzo IP> | arp -s 192.168.0.125 00:40:8c:18:10:00<br>temp<br>ping -s 408 192.168.0.125 |

4. Verificare che il cavo di rete sia connesso alla videocamera e quindi avviare/riavviare la videocamera, scollegando e ricollegando l'alimentazione.
5. Chiudere la finestra MS-DOS una volta visualizzato il messaggio "Risposta da 192.168.0.125: ..." oppure un messaggio simile.
6. Nel browser immettere `http://<indirizzo IP>` nel campo dell' indirizzo e premere Invio sulla tastiera.

### Note

- Per aprire una finestra MS-DOS in Windows: dal menu Start, scegliere Esegui... e digitare cmd. Fare clic su OK.
- Per utilizzare il comando ARP su un sistema operativo Mac OS X, servirsi dell'utilità Terminal, in Applicazioni > Utilità.

## Connettori

**Connettore di rete** - Ethernet RJ-45. Supporti Power over Ethernet (PoE). Si consiglia l'uso di cavi schermati.

**Connettore di alimentazione** - A basso voltaggio da 5,1V CC, massimo 3.8W. Vedere l'etichetta sul prodotto per la connessione dei poli  $\pm$ .

**Audio in** - 3.5 mm per microfono in mono o segnale mono line-in (il canale sinistro è usato da un segnale in stereo).

**Audio out** - Audio in output che può essere connesso ad un sistema di indirizzo pubblico (PA), oppure ad un altoparlante con amplificatore integrato. Un paio di cuffie possono essere collegate. Un connettore stereo deve essere usato per l'audio out.

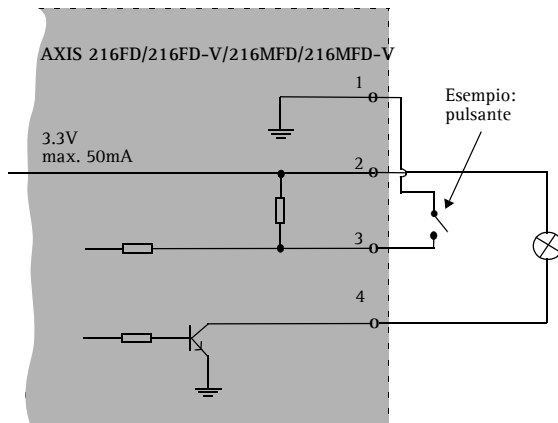
**Morsettiera di alimentazione I/O** - Utilizzata per varie applicazioni come, ad esempio, la rilevazione del movimento, l'attivazione di eventi, la registrazione continua, la notifica di allarmi e così via. Fornisce l'interfaccia per:

- 1 uscita transistor - per connettere apparati esterni come relays o LED. Le periferiche connesse possono essere attivate mediante AXIS VAPIX API, o i pulsanti di controllo nella pagina **Immagini dal vivo**, o oppure tramite il **Tipo Evento**. L'uscita verrà visualizzata come **attiva** (visualizzato in **Configurazione evento > Stato porta**) se il dispositivo di allarme è attivato.
- 1 ingresso digitale: specifico per allarmi, consente di connettere periferiche che possono aprire o chiudere un circuito, ad esempio: sensori di movimento (PIR), contatti porta/finestra, rilevatori di rottura vetri e così via. Quando viene ricevuto il segnale lo **stato** cambia e l'ingresso diventa attivo (visualizzato in **Configurazione evento > Stato porta**).
- Alimentazione ausiliaria e presa di terra

| Funzione                         | Numero pin | Note  | Specifiche   |
|----------------------------------|------------|---|--|
| Terra (GND)                      | 1          |   |  |
| Alimentazione ausiliaria 3.3V CC | 2          | Il pin può essere utilizzato anche per alimentare una periferica ausiliaria. Note: Questo pin può essere usato <u>solo</u> per alimentazione in uscita.   | Corrente massima: 50 mA.   |
| Ingresso digitale                | 3          | Collegare a terra (GND) per attivarlo oppure lasciare isolato (o scollegato) per disattivarlo.  | Non collegare una tensione superiore a 10V CC.                                   |
| Uscita transistor                | 4          | Un transistor di tipo NPN open-collector con connessione dell'emettitore collegato al polo di terra. Se si utilizza un relé esterno, è necessario collegare un diodo in parallelo al carico per proteggere il dispositivo da sovratensioni transitorie. | Carico massimo = 50 mA<br>Tensione massima = 24V CC (ingresso per il transistor) |



## Schema delle connessioni



## Indicatori LED

| LED           | Colore | Indicazione  |
|---------------|--------|--|
| Rete          | Verde  | Luce fissa: connessione di rete a 100 Mbit/s. Luce lampeggiante: attività di rete.   |
|               | Giallo | Luce fissa: connessione di rete a 10 Mbit/s. Luce lampeggiante: attività di rete.  |
|               | Spento | Assenza di connessione.  |
| Stato         | Verde  | Luce verde fissa: condizioni di normale utilizzo.<br>Nota: è possibile configurare il LED di stato in modo che rimanga spento in condizioni di normale utilizzo oppure in modo da ottenere una luce intermittente quando si effettua l'accesso alla videocamera. Per configurarlo, selezionare <b>Configurazione &gt; Opzioni di sistema &gt; Impostazioni LED</b> . Per ulteriori informazioni, consultare la Guida in linea. |
|               | Giallo | Luce fissa: durante l'avvio o il ripristino delle impostazioni predefinite di fabbrica o della configurazione.   |
|               | Rosso  | Luce lampeggiante lenta: aggiornamento non riuscito.   |
| Alimentazione | Verde  | Normale utilizzo.  |
|               | Giallo | Luce lampeggiante verde/gialla: aggiornamento firmware.  |

## Ripristino delle impostazioni di fabbrica

Questa procedura consentirà di ripristinare le impostazioni di fabbrica per tutti i parametri, incluso l'indirizzo IP.

1. Scollegare l'alimentazione dalla videocamera.
2. Tenere premuto il pulsante Control e ricollegare il cavo di alimentazione.
3. Tenere premuto il pulsante di comando fino a quando l'indicatore di stato non inizia a lampeggiare in giallo (l'operazione può richiedere fino a 15 secondi).
4. Quando l'indicatore di stato diventa verde (l'operazione può richiedere fino a 1 minuto) la procedura è completata e sono state ripristinate le impostazioni di fabbrica per la telecamera.
5. Reinstallare AXIS 216FD/216FD-V/216MFD/216MFD-V utilizzando uno dei metodi descritti nel presente documento.

È possibile inoltre ripristinare le impostazioni di fabbrica mediante l'interfaccia Web. Per ulteriori informazioni, consultare la Guida in linea o il Manuale per l'utente.

## Ulteriori informazioni

Il Manuale per l'utente è disponibile sul sito Web di Axis all'indirizzo [www.axis.com](http://www.axis.com) oppure sul CD fornito con il prodotto.

### **Suggerimento**

Visitare il sito di Axis all'indirizzo [www.axis.com/techsup](http://www.axis.com/techsup) per verificare se sono stati pubblicati aggiornamenti del firmware per la videocamera AXIS 216FD/216FD-V/216MFD/216MFD-V. Per conoscere la versione installata del firmware, vedere la pagina Configurazione base negli strumenti di configurazione.

# AXIS 216FD/216FD-V AXIS 216MFD/216MFD-V Guía de instalación

Esta guía de instalación incluye las instrucciones necesarias para instalar la AXIS 216FD, AXIS 216FD-V, AXIS 216MFD, y AXIS 216MFD-V en su red. Para obtener información sobre cualquier cuestión relacionada con el uso del producto, consulte el Manual del usuario, disponible en el CD que se incluye en este paquete, o la página [www.axis.com/techsup](http://www.axis.com/techsup).

## Pasos para la instalación

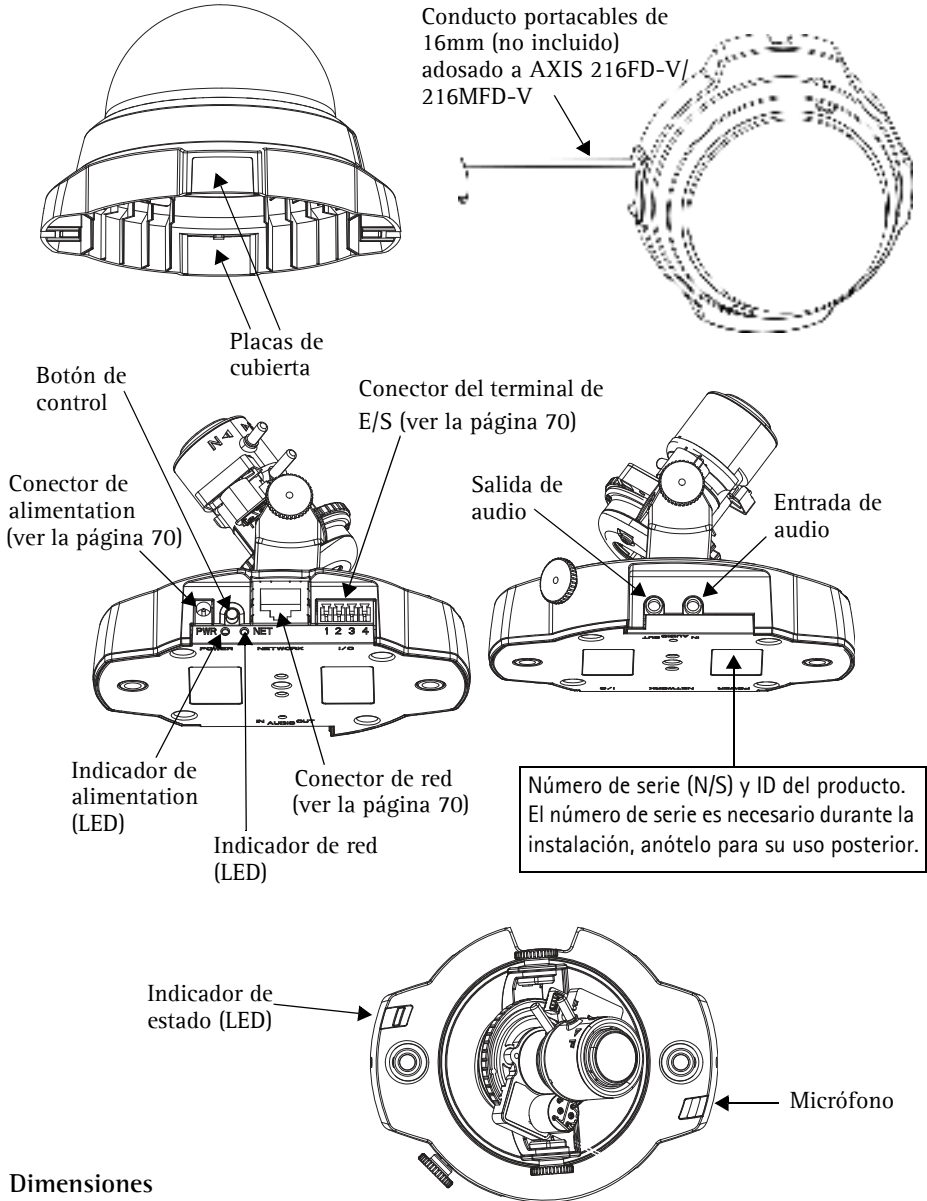
1. Verifique el contenido del paquete con la lista que aparece más abajo.
2. Presentación del hardware. Consulte la página 60.
3. Instale el hardware. Consulte la página 61.
4. Configure la dirección IP. Consulte la página 63.
5. Configure la contraseña. Consulte la página 66.
6. Ajuste el enfoque. Consulte la página 67.
7. Complete la instalación. Consulte la página 67.

**¡Importante!**  
 Este producto debe utilizarse de acuerdo a la legislación y normativas locales.

## Contenido del paquete

| Artículo  | Modelos/variantes/notas   |
|---|---|
| Cámara de red   | AXIS 216FD: cubierta protectora a prueba de manipulaciones<br>AXIS 216FD-V/216MFD-V: cubierta protectora a prueba de agresiones<br>AXIS 216MFD: cubierta protectora a prueba de manipulaciones<br>AXIS 216MFD-V: cubierta protectora a prueba de agresiones |
| PS-H Fuente de alimentación para interior (especifico del país) | Europa<br>RU<br>Australia<br>EE.UU./Japón<br>Argentina<br>Corea   |
| Cable de extensión  | Cable de alimentación de 1,8 m  |
| Conector del bloque de terminales                               | Bloque de conectores de E/S de 4 pines.   |
| Kit de montaje  | Destornillador para tornillos de alta resistencia<br>Tornillos de alta resistencia<br>Plantilla de taladrado  |
| CD  | Axis Network Video Product CD   |
| Documentación   | Guía de instalación de AXIS 216FD/216FD-V/216MFD/216MFD-V<br>Documento de garantía  |

## Presentación del hardware



### Dimensiones

Alt. x Anch. x Prof. = 94 x 144 x 132mm

Peso AXIS 216FD/216MFD = 425g (fuente de alimentación no incluida)

Peso AXIS 216FD-V/216MFD-V= 580g (fuente de alimentación no incluida)

## Instalación del hardware

- !
**IMPORTANTE:** La cubierta de la AXIS 216FD/216FD-V/216MFD/216MFD-V no está aprobada para ser utilizada en exteriores, el producto debe instalarse sólo en interiores bajo techo.

### Montaje de la cámara

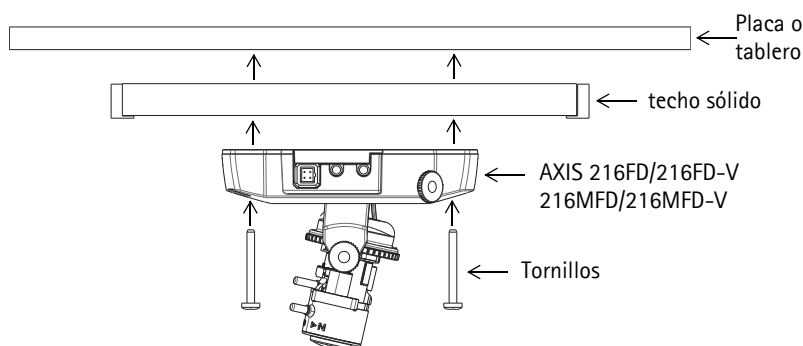
La AXIS 216FD/216FD-V/216MFD/216MFD-V puede montarse haciendo pasar los cables de red y alimentación a través de la pared o el techo, desde arriba o desde abajo. Existen placas de cubiertas para aberturas a los dos lados de la cubierta de la cúpula. El AXIS 216FD-V/216MFD-V puede instalarse con un conducto de metal para la protección del cableado si se conecta por las aberturas laterales. Consulte las ilustraciones de la página 60.

1. Utilizando la plantilla de taladrado, haga dos orificios en el techo o la pared.
2. Extienda y conecte los cables requeridos. Vea *Conexión de los cables* debajo.
3. Fije la cámara al techo o pared con los tornillos y tacos adecuados para el material de techo o pared.
4. Asegúrese de que la cámara está colocada de modo que los tornillos de alta resistencia puedan apretarse utilizando el destornillador suministrado.

### Montado en un techo sólido

Para montar la AXIS 216FD/216FD-V/216MFD/216MFD-V en un techo sólido, verifique el material del techo es lo suficientemente resistente para soportar el peso de la cámara.

La cámara puede fijarse utilizando una placa o un tablero que soporte el peso de la cámara y que sea más adecuado para fijar los tornillos.



El AXIS 216FD/AXIS 216MFD puede también montarse utilizando el Soporte para Falso Techo AXIS 216FD/AXIS 216MFD, que permite una instalación más discreta.

Visite [www.axis.com](http://www.axis.com) para comprobar que accesorios de montaje hay disponibles.

## Conexión de los cables



1. Conecte la cámara a la red con un cable de red blindado.
2. También puede conectar dispositivos externos, como dispositivos de alarma. Para obtener más información sobre los pines de conectores de terminales, consulte la página 70.
3. También se puede conectar un altavoz activo para obtener audio bidireccional.
4. Conecte la alimentación utilizando uno de los métodos especificados en la lista que aparece a continuación:
  - PoE (Power over Ethernet). Si está disponible, se detectará automáticamente al conectar el cable de red. Vea arriba.
  - Conecte la fuente de alimentación para interiores suministrada al conector de alimentación de la cámara.
5. Compruebe que los indicadores LED anuncian las condiciones adecuadas. Para obtener información más detallada, consulte la tabla de la página 71. Tenga en cuenta que algunos LED pueden deshabilitarse y apagarse.

## Configuración de una dirección IP

Actualmente, la mayoría de redes disponen de un servidor DHCP que asigna direcciones IP a dispositivos conectados de forma automática. Si su red no dispone de un servidor DHCP, AXIS 216FD/216FD-V/216MFD/216MFD-V utilizará 192.168.0.90 como dirección IP predeterminada.

Si desea asignar una dirección IP estática, el método de Windows recomendado es **AXIS IP Utility** o **AXIS Camera Management**. En función del número de cámaras que desee instalar, deberá utilizar el método que se adapte mejor a sus necesidades.

Ambas aplicaciones son gratuitas y están disponibles en el CD del producto de vídeo en red de Axis suministrado con este producto o pueden descargarse de [www.axis.com/techsup](http://www.axis.com/techsup).

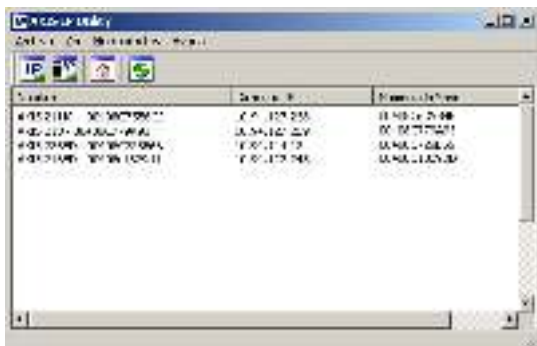
| Método   | Recomendado para   | Sistema operativo                                     |
|--|--|---|
|  <b>AXIS IP Utility</b><br>Consulte la página 64        | Cámaras individuales<br>Instalaciones pequeñas                                 | Windows   |
|  <b>AXIS Camera Management</b><br>Consulte la página 65 | Varias cámaras<br>Instalaciones grandes<br>Instalación en una subred diferente | Windows 2000<br>Windows XP Pro<br>Windows 2003 Server |

### Notas:

- Si no puede asignar la dirección IP, compruebe que no haya ningún firewall que bloquee la operación.
- Consulte la página 66 para conocer otros métodos para asignar o detectar la dirección IP de la AXIS 216FD/216FD-V/216MFD/216MFD-V, por ejemplo, en otros sistemas operativos.

## AXIS IP Utility: para cámaras individuales o instalaciones pequeñas

AXIS IP Utility encuentra y muestra automáticamente los dispositivos Axis que existen en la red. Además, puede utilizarse para asignar manualmente una dirección IP estática.




Recuerde que el equipo que ejecute AXIS IP Utility debe instalarse en el mismo segmento de red (subred física) que la AXIS 216FD/216FD-V/216MFD/216MFD-V.

### Detección automática

1. Compruebe que la AXIS 216FD/216FD-V/216MFD/216MFD-V está conectada a la red y que recibe alimentación.
2. Inicie AXIS IP Utility.
3. Cuando la cámara aparezca en la ventana, haga doble click en ella para abrir su página de inicio.
4. Consulte la página 66 para obtener instrucciones sobre cómo asignar la contraseña.

### Asignación manual de la dirección IP (opcional)

1. Obtenga una dirección IP que no esté en uso y que se encuentre en el mismo segmento de red que su PC.
2. Seleccione el nombre de producto en la lista.
3. Haga clic en el botón **Asignar nueva dirección IP al dispositivo**  e introduzca la dirección IP.
4. Haga clic en el botón **Asignar** y siga las instrucciones.
5. Haga clic en **Página de inicio** para acceder a las páginas Web de la cámara.
6. Consulte la página 66 para obtener instrucciones sobre cómo configurar la contraseña.

### Notas:

Las AXIS 216FD y AXIS 216FD-V serán mostradas en el AXIS IP Utility como AXIS 216FD.  
Las AXIS 216MFD y AXIS 246MFD-V serán mostradas en el AXIS IP Utility como AXIS 216MFD.



## AXIS Camera Management: para varias cámaras e instalaciones grandes


AXIS Camera Management puede detectar automáticamente varios dispositivos Axis, mostrar el estado de la conexión, administrar las actualizaciones del firmware y configurar direcciones IP.



### Detección automática

1. Compruebe que la cámara está conectada a la red y que recibe alimentación.
2. Inicie AXIS Camera Management. Cuando aparezca la AXIS 216FD/AXIS 216MFD en la ventana, haga doble click en el icono para abrir la página de inicio.
3. Consulte la página 66 para obtener instrucciones sobre cómo configurar la contraseña.


### Asignación de una dirección IP en un dispositivo individual

1. Seleccione AXIS 216FD/AXIS 216MFD en AXIS Camera Management y haga click en el botón Assign IP (Asignar IP). 
2. Seleccione Assign the following IP address (Asignar la dirección siguiente) e introduzca la IP la máscara de subred y el enrutador predeterminado que utilizará el dispositivo.
3. Haga click en el botón OK (Aceptar).



### Asignación de direcciones IP en varios dispositivos

AXIS Camera Management acelera el proceso de asignación de direcciones IP en varios dispositivos indicando direcciones IP disponibles dentro de un intervalo especificado.

1. Seleccione los dispositivos que desee configurar (se pue den seleccionar varios modelos) y haga click en el botón Assign IP (Asignar IP). 
2. Seleccione Assign the following IP address range (Asignar la siguiente dirección) e introduzca las direcciones IP, la máscara de subred y el enrutador predeterminado que utilizará el dispositivo.
3. Haga click en el botón OK (Aceptar).



### Notas:

Las AXIS 216FD y AXIS 216FD-V serán mostradas en el AXIS Camera Management como AXIS 216FD. Las AXIS 216MFD y AXIS 216MFD-V serán mostradas en el AXIS Camera Management como AXIS 216MFD.

## Configuración de la contraseña

Al acceder a la AXIS 216FD/216FD-V/216MFD/216MFD-V por primera vez, aparecerá el cuadro de diálogo “Configurar contraseña de root”.

1. A continuación, escriba una contraseña y vuelva a escribirla para confirmarla. Haga clic en Aceptar.
2. Escriba el nombre de usuario root en el cuadro de diálogo “Enter Network Password”(Escribir contraseña de red).  
Nota: El nombre de usuario predeterminado para el administrador root no se puede borrar.
3. Escriba la contraseña que introdujo anteriormente y haga clic en “Aceptar”. Si extravió u olvidó la contraseña, debe restablecer la AXIS 216FD/216FD-V/216MFD/216MFD-V a los valores iniciales. Consulte la página 70.
4. En caso necesario, haga clic en Sí para instalar el AMC (AXIS Media Control) y así permitir la visualización del vídeo continuo en Internet Explorer. Para ello, debe tener derechos de administrador en su ordenador.

La página Live View de la AXIS 216FD/216FD-V/216MFD/216MFD-V aparece con enlaces a las herramientas de configuración que le permiten personalizar la cámara. Note las AXIS 216FD y AXIS 216FD-V serán mostradas en el explorador como AXIS 216FD. Las AXIS 216MFD y AXIS 216MFD-V serán mostradas en el explorador como AXIS 216MFD.

**Configuración:** proporciona todas las herramientas necesarias para configurar la cámara según sus necesidades.



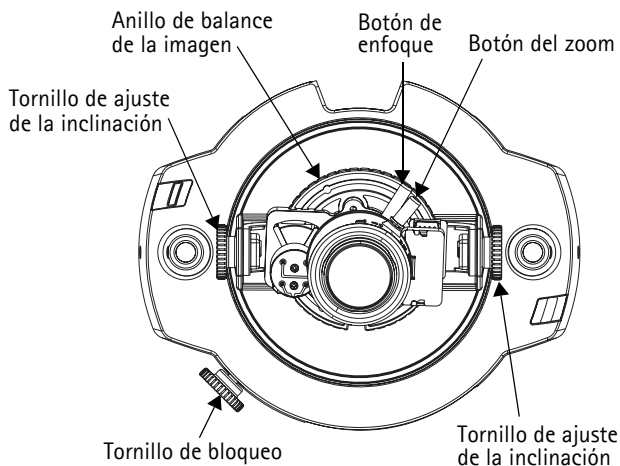
**Ayuda:** presenta ayuda en línea sobre todos los aspectos del uso de la cámara.



## Ajuste del enfoque

Abra la página **En vivo** en la interfaz Web y realice los ajustes siguientes en la cámara:

1. Afloje el tornillo de bloqueo y los tornillos de ajuste de la inclinación.
2. Gire la lente hasta la posición deseada.
3. Una vez que haya conseguido la posición deseada, apriete con cuidado el tornillo de bloqueo y los tornillos de ajuste de la inclinación para fijar la posición de la cámara.
4. Gire el anillo de balance de la imagen para establecer la posición horizontal.
5. Abra la página de ajuste del enfoque en la interfaz Web en **Configuración básica > Enfoque** y siga las instrucciones que aparecen en pantalla. Utilice la ventana de la imagen para ajustar el enfoque y el zoom.
6. Para establecer el enfoque y el zoom, afloje los botones del zoom y del enfoque en el sentido contrario a las agujas del reloj y gire los anillos.



### Notas:

Debido a la reflexión en el domo, la imagen puede aparecer ligeramente fuera de foco una vez que el domo ha sido puesto en su lugar. Para compensar, enfoque un objeto más cercano que el área que se desea vigilar.

7. Bloquee los botones de enfoque y zoom en posición girando los tornillos en el sentido de las agujas del reloj.

La imagen también puede ajustarse en caso de poca iluminación. Si desea más información, vaya a **Configuración > Vídeo e imagen > Avanzada** y consulte la ayuda en línea.

## Finalización de la instalación

1. Gire el revestimiento de protección negro del interior de la carcasa de la burbuja para que coincida con la posición de la cámara.
2. Limpie la burbuja con un trapo suave y seco para eliminar el polvo y las huellas dactilares y utilice un ventilador para retirar el polvo de la lente.
3. Monte la carcasa de la burbuja utilizando los tornillos de alta resistencia y el destornillador suministrados.
4. Ahora que el domo está en su lugar, verifique de manera doble que la cámara está enfocada de manera apropiada.
5. La instalación ha finalizado.

## Acceso a la AXIS 216FD/216FD-V/216MFD/216MFD-V desde Internet

Una vez instalada, puede acceder a la AXIS 216FD/216FD-V/216MFD/216MFD-V desde su red local (LAN). Para acceder a la cámara desde Internet, los routers de red deben estar configurados para permitir el tráfico de datos de entrada, que normalmente se efectúa en un puerto específico. Para obtener más instrucciones, consulte la documentación de su enrutador.

Para obtener más información sobre este u otros temas, visite la página de asistencia técnica de Axis en [www.axis.com/techsup](http://www.axis.com/techsup)

## Otros métodos para configurar la dirección IP

Esta tabla presenta otros métodos disponibles para configurar o detectar la dirección IP. Todos los métodos están habilitados de forma predeterminada y es posible deshabilitarlos.

|   | Sistema operativo          | Notas   |
|---|----------------------------|---|
| UPnP™   | Windows (ME o XP)          | La cámara se detecta y añade a "Mis sitios de red" automáticamente, siempre que esta opción esté habilitada en el equipo.   |
| Bonjour                                       | MAC OSX (10.4 o posterior) | Aplicable a navegadores compatibles con Bonjour. Navegue hasta el favorito Bonjour™ del explorador (p. ej., Safari) y haga clic en el vínculo para acceder a las páginas Web de la cámara.  |
| Servicio de DNS dinámico de AXIS              | Todos                      | Servicio gratuito suministrado por Axis que permite instalar la cámara de forma rápida y sencilla. Es necesario disponer de conexión a Internet sin proxy HTTP. Para más información, consulte <a href="http://www.axiscam.net">www.axiscam.net</a> . |
| ARP/Ping                                      | Todos                      | Véase más adelante. El comando debe emitirse en los dos minutos posteriores al encendido de la cámara.  |
| Acceso a las páginas admin. del servidor DHCP | Todos                      | Para acceder a las páginas admin. del servidor DHCP en red, consulte la documentación del servidor.   |

### Configuración de la dirección IP con ARP/Ping

1. Adquiera una dirección IP en el mismo segmento de red en el que está conectado su equipo.
2. Localice el número de serie (N/S) en la etiqueta de la AXIS 216FD/216FD-V/216MFD/216MFD-V.
3. Abra una línea de comando en su equipo y escriba los comandos siguientes:

| Sintaxis en Windows:  | Ejemplo en Windows  |
|---|---|
| arp -s <Dirección IP> <Número de serie><br>ping -l 408 -t <Dirección IP>      | arp -s 192.168.0.125 00-40-8c-18-10-00<br>ping -l 408 -t 192.168.0.125      |
| Sintaxis en UNIX/Linux/Mac  | Ejemplo en UNIX/Linux/Mac   |
| arp -s <Dirección IP> <Número de serie><br>temp<br>ping -s 408 <Dirección IP> | arp -s 192.168.0.125 00:40:8c:18:10:00<br>temp<br>ping -s 408 192.168.0.125 |

4. Compruebe que el cable de red está conectado a la cámara y desconecte y vuelva a conectar la corriente para iniciarla o reiniciarla.
5. Cierre la línea de comando cuando vea "Reply from 192.168.0.125:" (Respuesta de 192.168.0.125:) o similar.
6. En el explorador, escriba <http://<dirección IP>> en el campo Ubicación/Dirección y pulse Intro en el teclado.

#### Notas:

- Para abrir una línea de comando en Windows: desde el menú Inicio, seleccione Ejecutar... y escriba cmd. Haga clic en Aceptar.
- Para utilizar el comando ARP en un sistema operativo Mac OS X, utilice la herramienta Terminal, que se encuentra en Aplicaciones > Utilidades.

## Conectores

**Conector de red** - Conector Ethernet RJ-45. Ayudas Power over Ethernet (PoE). Se recomienda emplear cables blindados.

**Conector de alimentación** - Conector mini de CC. 5,1V CC, máx. 3,8 W. Consulte la etiqueta del producto para información sobre la conexión de polaridad positiva o negativa  $\pm$

**Entrada de audio** - Conector de 3.5mm para micrófono mono, o entrada de línea de señal mono (se usa el canal izquierdo de una señal estéreo).

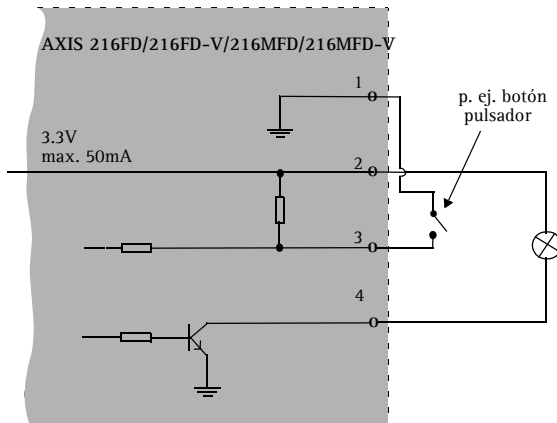
**Salida de audio** - Salida de audio (nivel línea) que puede ser conectada a un sistema de megafonía pública o a un altavoz con amplificador incorporado. También puede conectarse a unos auriculares. Debe utilizarse un conector estéreo.

**Conector del terminal de E/S** - Utilizado, por ejemplo, en aplicaciones de detección de movimiento, activación de eventos, grabación de lapsos de tiempo, notificaciones de alarma, etc. Proporciona a la interfaz la conexión de:

- 1 salida de transistor: Para conectar relés y LEDs. Se pueden activar dispositivos conectados mediante AXIS VAPIX API, los botones de salida de la página **En vivo** o mediante un **tipo de evento**. La salida se mostrará **activa** (**Configuración de eventos > Estado del puerto**) si el dispositivo de alarma está activado.
- 1 entrada digital: Una entrada de alarma para conectar dispositivos que puedan alternar circuitos cerrados y abiertos, como detectores PIR, contactos de puertas y ventanas, detectores de rotura de cristales, etc. Cuando se recibe una señal, el estado cambia y la entrada se vuelve activa (indicado en **Configuración de eventos > Estado del puerto**).
- Alimentación auxiliar y toma de tierra

| Función                       | Número de pin | Notas  | Especificaciones   |
|-------------------------------|---------------|--|--|
| GND                           | 1             | Toma de tierra   |  |
| Alimentación 3.3V CC auxiliar | 2             | Este pin puede usarse para alimentar equipos auxiliares.<br><br><b>Nota:</b> Este pin puede utilizado solamente como salida de poder.  | Corriente máxima: 50 mA.                                     |
| Entrada digital               | 3             | Conecte una toma de tierra para activarla o déjela suelta (o desconectada) para desactivarla.  | No debe exponerse a voltajes superiores a 10 V CC.           |
| Salida del transistor         | 4             | Utiliza un transistor NPN de colector abierto con un emisor conectado al pin de toma de tierra (GND). Si se utiliza con un relé externo, debe conectarse un diodo en paralelo a la carga como protección ante oscilaciones de voltaje. | Carga máx. = 50 mA<br>Voltaje máx. = 24 V CC (al transistor) |

## Diagrama de conexiones



## Indicadores LED

| LED          | Color   | Indicación  |
|--------------|---------|---|
| Red          | Verde   | Fijo para indicar conexión a una red de 100 Mbit/s, parpadeo para indicar actividad de red  |
|              | Ámbar   | Fijo para indicar conexión a una red de 10 Mbit/s, parpadeo para indicar actividad de red   |
|              | Apagado | Desconectada de la red.   |
| Estado       | Verde   | Fijo para indicar funcionamiento normal.<br>Nota: Puede configurarse el LED de estado para que esté apagado durante el funcionamiento normal o para que parpadee únicamente cuando se accede a la cámara. Para ello, vaya a <b>Configuración &gt; Opciones de sistema &gt; Configuración de LED</b> Para obtener más información, consulte los archivos de la ayuda en línea. |
|              | Ámbar   | Fijo durante el inicio o durante el restablecimiento de los valores o la configuración iniciales  |
|              | Rojo    | Parpadeo lento si no se puede realizar una actualización  |
| Alimentación | Verde   | Funcionamiento normal   |
|              | Ámbar   | Parpadeo verde/ámbar durante la actualización del firmware  |

## Restablecimiento de los valores iniciales

Esta operación restaurará todos los parámetros, incluida la dirección IP, a los valores iniciales:

1. Desconecte la alimentación de la cámara.
2. Mantenga presionado el botón de control y vuelva a conectar la alimentación.
3. Mantenga presionado el botón de control hasta que el indicador de estado emita una luz ámbar (puede tardar hasta 15 segundos en encenderse).
4. Cuando el indicador de estado emita una luz verde (lo que puede tardar hasta 1 minuto), ha finalizado el proceso y se han restablecido los valores iniciales de la cámara.
5. Vuelva a instalar la AXIS 216FD/216FD-V/216MFD/216MFD-V utilizando uno de los métodos descritos en este documento.

También es posible restablecer los valores predeterminados de la cámara mediante la interfaz Web. Si desea más información, consulte la ayuda en línea o el manual del usuario.

## Más información

Podrá acceder al manual del usuario desde el sitio Web de Axis [www.axis.com](http://www.axis.com), o bien a través del CD sobre el producto de vídeo de red de Axis suministrado con la cámara.

### Sugerencia:

Entre en [www.axis.com/techsup](http://www.axis.com/techsup) para comprobar si existe firmware actualizado disponible para la AXIS 216FD/216FD-V/216MFD/216MFD-V. Para ver la versión de firmware que se encuentra instalada en ese momento, consulte la página Web Configuración básica en las herramientas de configuración del producto.





